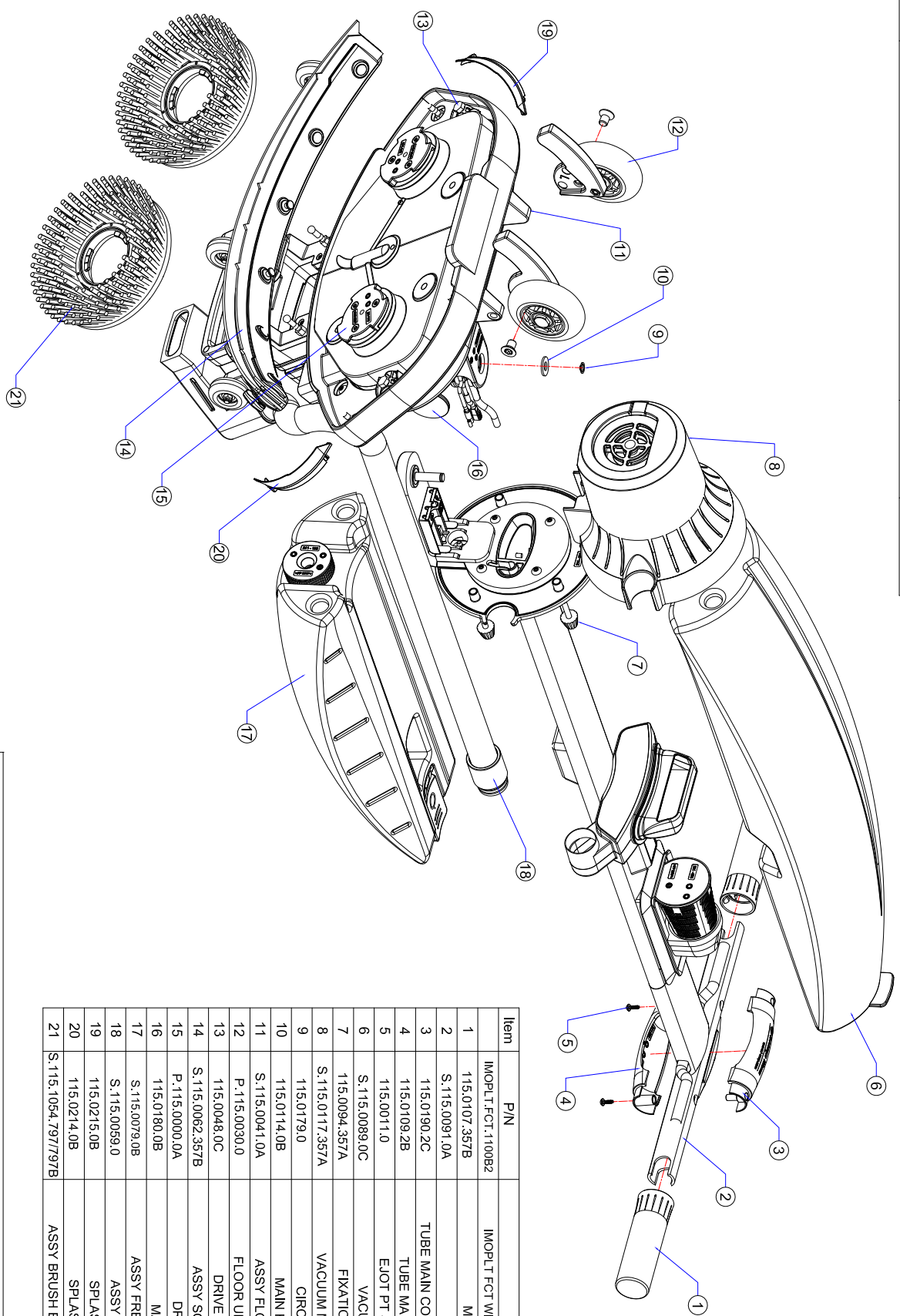


| REVISION | DESCRIPTION | REVISED BY | DATE |
|----------|---------------|------------|-------------|
| A | FIRST RELEASE | CONNIE | 11/Jan/2022 |



| Item | P/N | Description | Qty. |
|------|---------------------|-------------------------------------------|------|
| 1 | IMOPLT.FCT.1100B2 | IMOPLT FCT WITH MOTOR & CHARGER & BATTERY | |
| 1 | 115.0107.357B | MAIN GRIP GREY | 1 |
| 2 | S.115.0091.0A | ASSY TUBE | 1 |
| 3 | 115.0190.2C | TUBE MAIN COVER FRONT IMOP LITE | 1 |
| 4 | 115.0109.2B | TUBE MAIN COVER REAR WHITE | 1 |
| 5 | 115.0011.0 | EJOT PT SCREW WN 545T 30X10 | 2 |
| 6 | S.115.0089.0C | VACUUM TANK + PRINT | 1 |
| 7 | 115.0094.357A | FIXATION FEET GREY P431C | 4 |
| 8 | S.115.0117.357A | VACUUM MOTOR HOISING BOTTOM | 1 |
| 9 | 115.0179.0 | CIRCLIP EXTERNAL 8.0 | 1 |
| 10 | 115.0114.0B | MAIN HINGE FIXATION DIS | 1 |
| 11 | S.115.0041.0A | ASSY FLOOR UNIT COMPLETE | 1 |
| 12 | P.115.0030.0 | FLOOR UNIT TRANSPORT CASTOR XL | 1 |
| 13 | 115.0048.0C | DRIVE MODULE FIXATION PIN | 2 |
| 14 | S.115.0062.357B | ASSY SQUEEGEE MAIN HOUSING | 1 |
| 15 | P.115.0000.0A | DRIVE MODULE MOTOR | 1 |
| 16 | 115.0180.0B | MAIN HINGE COVER | 2 |
| 17 | S.115.0079.0B | ASSY FRESH WATER TANK + PRINT | 1 |
| 18 | S.115.0059.0 | ASSY MAIN SUCTION HOSE | 1 |
| 19 | 115.0215.0B | SPLASH PROTECTION RIGHT | 1 |
| 20 | 115.0214.0B | SPLASH PROTECTION LEFT | 1 |
| 21 | S.115.1054.797/797B | ASSY BRUSH BLUE BRISTLE BLUE LOCKER | 2 |

TOLERANCE UNSPECIFIED

| LINE | ANGLE | REMARK: |
|------|-------|---------|
| XXX | ±2° | |
| XX | ±1.5° | |
| X | ±1° | |
| . | ±0.5° | |
| XX | ±1° | |
| XX | ±0.5° | |
| XX | ±1° | |

SHEET 1 OF 1 DATE

REMARK:

MATERIAL:

APPROVED CHECKED DISIGNED

CONNIE

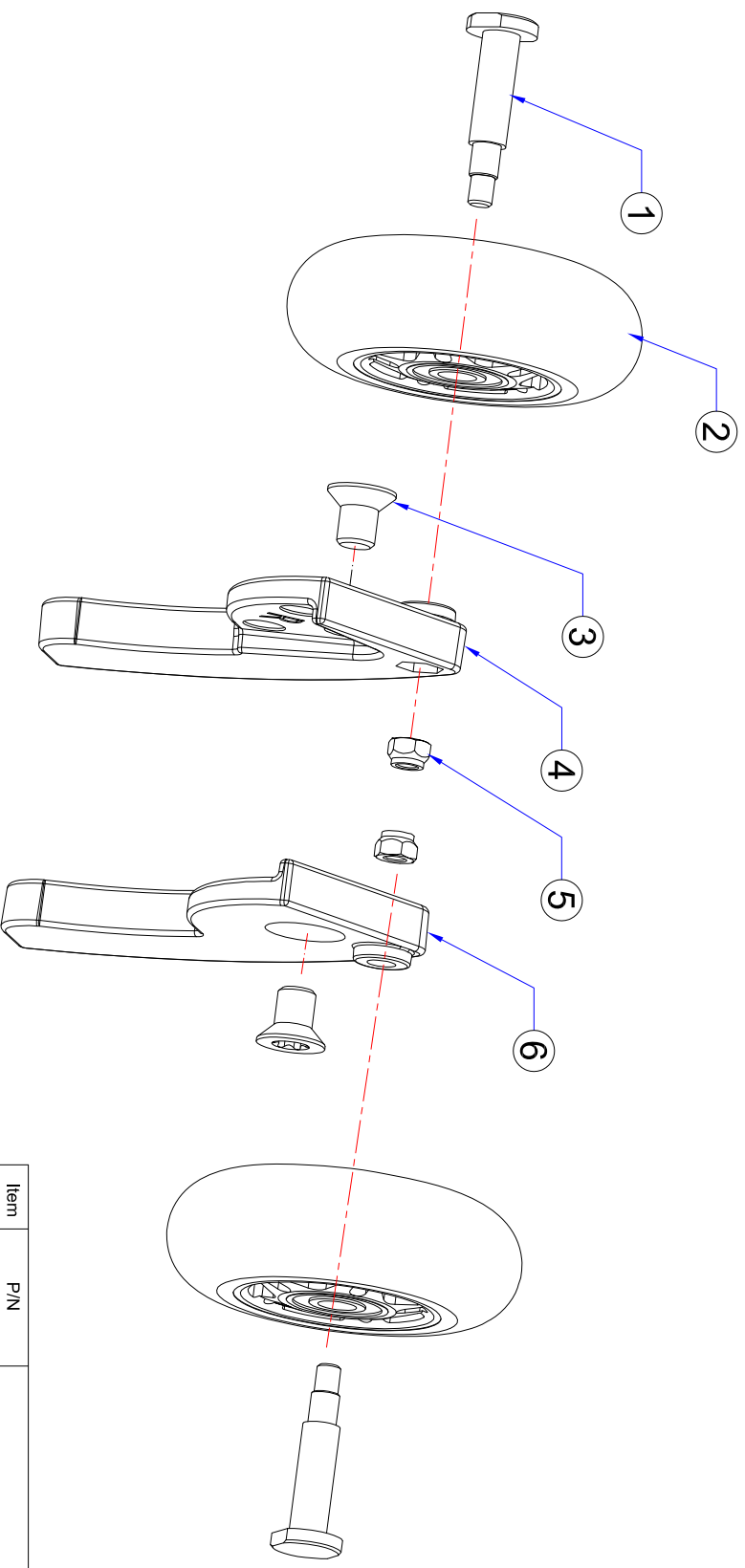
SCALE 1:1 DRAWING NO

SMT-FOT DONG GUAN
THE FRIENDLY FAMILY

东莞硕能塑胶模具有限公司
 ASSEMBLY AND MOULDING OF CLEANING

| REV | A | PART NAME | UNIT | MM | PART NO | SCALE | 1:1 | DRAWING NO | SIZE |
|-----------------------|----|---------------------|------|----|---------|-------|-----|------------|------|
| IMOPLT.FCT WITH MOTOR | MM | IMOPLT.FCT.1100B2/1 | 1:1 | | | | | | A4 |

| REVISION | DESCRIPTION | REVISED BY | DATE |
|----------|---------------|------------|-------------|
| A | FIRST RELEASE | CONNIE | 11/Jan/2022 |



| Item | P/N | Description | Qty. |
|------|--------------|--------------------------------|------|
| 1 | P.115.0030.0 | FLOOR UNIT TRANSPORT CASTOR XL | |
| 1 | 115.0199.0C | TRANSPORT CASTOR AXIS IMOPUTE | 2 |
| 2 | 72.0029.2797 | WHITE CASTOR + BLUE BRACKET | 2 |
| 3 | 115.0177.0 | COUNTER SUNK BOLT M8 x 12 | 2 |
| 4 | 115.0030.0F | TRANSPORT WHEEL PILLAR RIGHT | 1 |
| 5 | 04.0048.0 | NUT M5 NYLON STAINLESS | 2 |
| 6 | 115.0031.0F | TRANSPORT WHEEL PILLAR LEFT | 1 |

TOLERANCE UNSPECIFIED

| LINE | ANGLE | REMARK: |
|------|--------|-----------|
| XXX | ±0.005 | X ±2° |
| XX | ±0.05 | X ±1.5° |
| X | ±0.1 | X ±1° |
| . | ±0.2 | XX ±1° |
| XX | ±0.5 | XXX ±0.5° |
| | ±1 | |

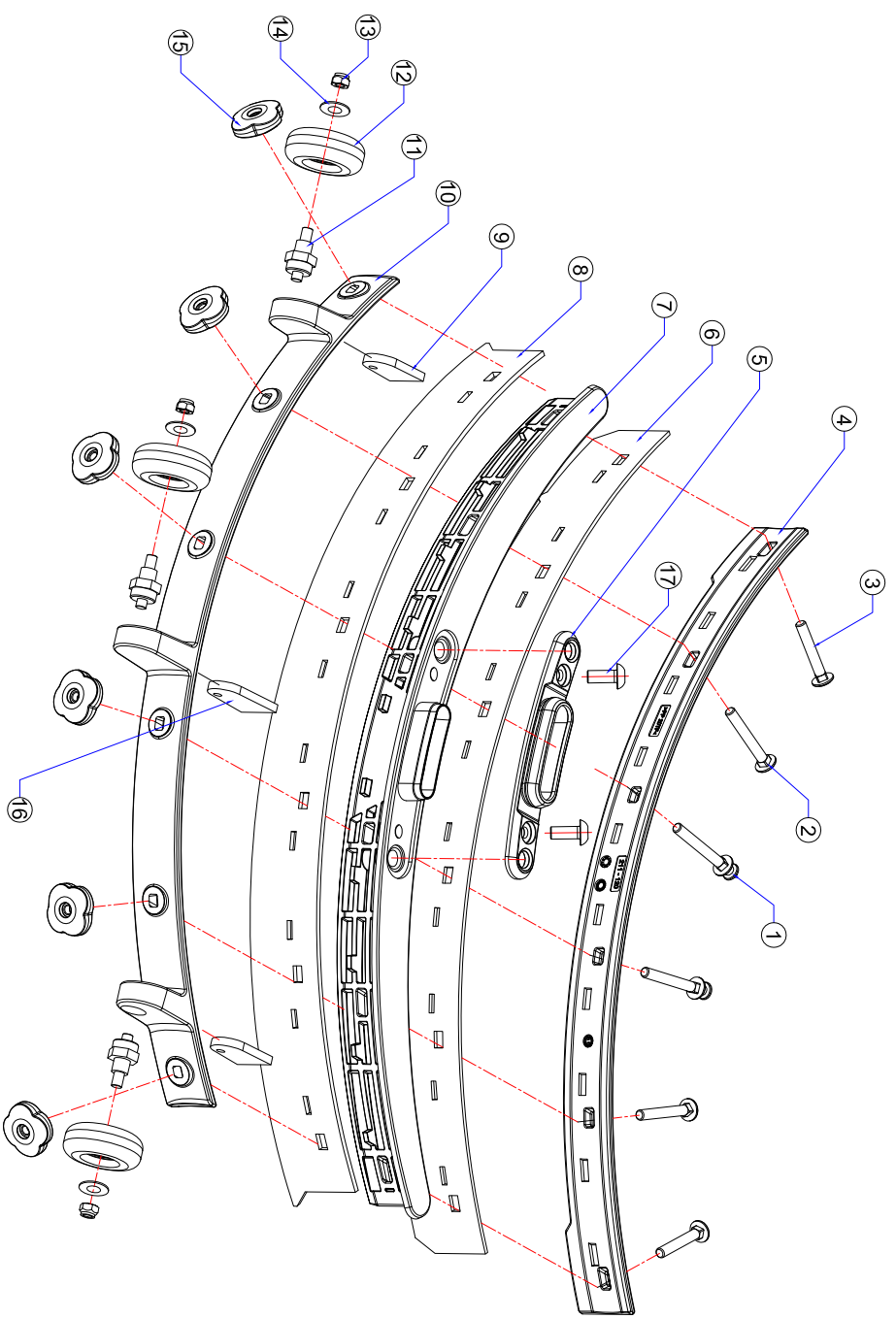
REMARK:
 MATERIAL:
 APPROVED CHECKED
 DISIGNED
 CONNIE
 11/Jan/2022

| REV | UNIT | PART NAME | IMOPUTE FCT WITH MOTOR W/O CHARGER & BAT BIG | SCALE | DRAWING NO | SIZE |
|-----|------|-----------|----------------------------------------------|-------|------------|------|
| A | MM | | | 1:1 | | A4 |

SMT-FCT DONG GUAN
THE FRIENDLY FAMILY

东莞硕能塑胶模具有限公司
 ASSEMBLY AND MOULDING OF CLEANING

| REVISION | DESCRIPTION | REVISED BY | DATE |
|----------|---------------|------------|-------------|
| A | FIRST RELEASE | CONNIE | 11/Jan/2022 |



| Item | P/N | Description | Qty. |
|------|--------------------------------|---------------------------------------------------|------|
| 1 | S.115.0062.357B 115.0069.0A | ASSY SQUEEGEE MAIN HOUSING SQUEEGEE BOLT LARGE | 2 |
| 2 | 115.0068.0A | SQUEEGEE BOLT MEDIUM | 2 |
| 3 | 115.0067.0A | SQUEEGEE BOLT SMALL | 2 |
| 4 | 115.0063.357C | SQUEEGEE FRONT HOUSING GREY P431C | 1 |
| 5 | 115.0070.357C | SQUEEGEE BRACKET GREY P431C | 1 |
| 6 | 115.0065.0C | SQUEEGEE FRONT AROFLEX T=2MM PU BLUE | 1 |
| 7 | 115.0062.357C | SQUEEGEE MAIN HOUSING GREY P431C | 1 |
| 8 | 115.0066.0C | SQUEEGEE REAR T=2.5MM PU BLUE | 1 |
| 9 | 115.0071.0A | SQUEEGEE REAR BRACKET SHORT | 2 |
| 10 | 115.0064.357D | SQUEEGEE CASTOR BRACKET | 1 |
| 11 | 115.0076.0D | SQUEEGEE CASTOR AXIS | 3 |
| 12 | 115.0075.357A | QUEEGEE CASTOR GREY P431C | 3 |
| 13 | 04.0048.0 | NUT M6 NYLON STAINLESS | 3 |
| 14 | 00.0091.0 | WASHER STAINLESS M6 5.1x12x1 | 3 |
| 15 | 115.0073.357A | SQUEEGEE FIXATION NUT GREY P431C | 6 |
| 16 | 115.0072.0A | SQUEEGEE CASTOR BRACKET LONG | 1 |
| 17 | 115.0095.0 | CYLINDER RROUND HEAD CAP SCREW M5X12 | 2 |

TOLERANCE UNSPECIFIED

| LINE | ANGLE |
|------------|-----------|
| XXX ±0.005 | X ±2° |
| XX ±0.05 | X ±1.5° |
| X ±0.1 | XX ±1° |
| . ±0.2 | XXX ±0.5° |
| XX ±0.5 | ±1 |

REMARK:

MATERIAL:
APPROVED CHECKED DISIGNED
CONNIE

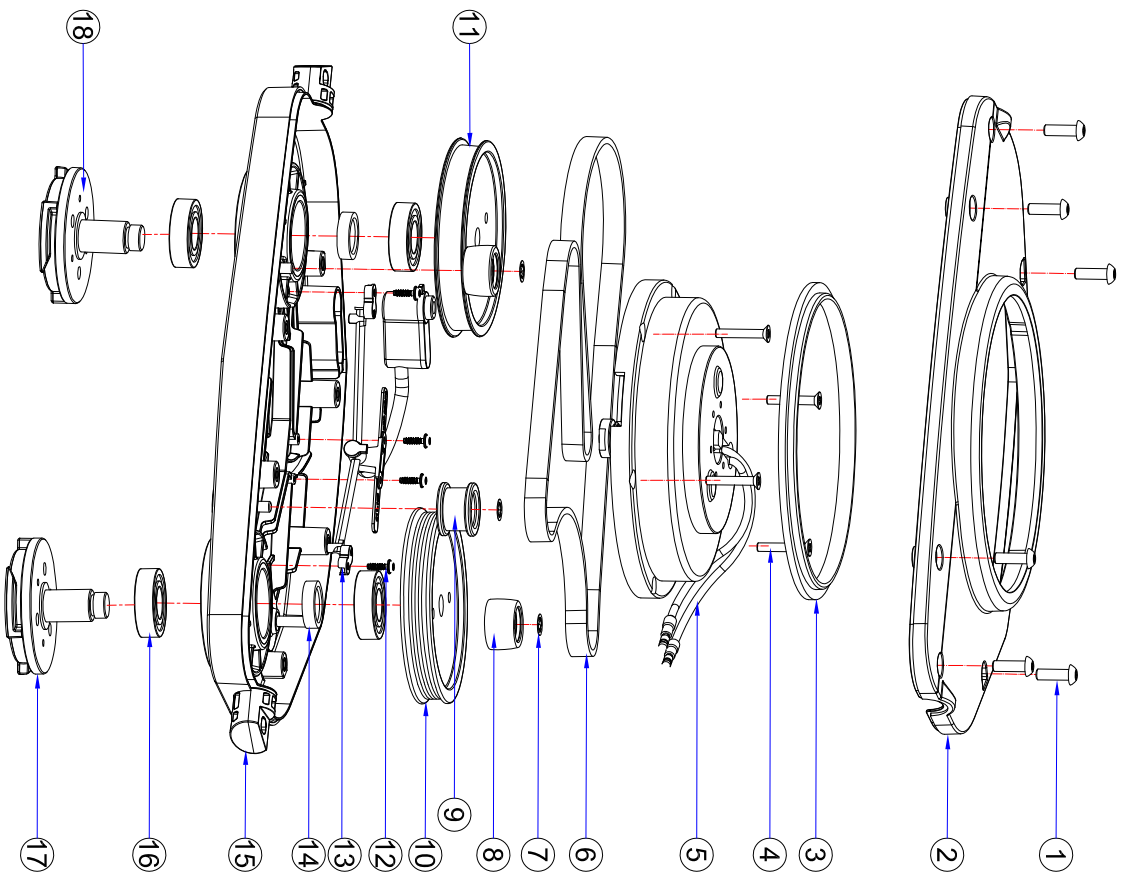
ASSEMBLY AND MOULDING OF CLEANING

SMT-FCT DONG GUAN
THE FRIENDLY FAMILY

东莞硕能塑胶模具有限公司

| | | | | | | | | |
|--------------|------|-------------|-------|-----|------------|---------------------|------|----|
| SHEET 1 OF 1 | DATE | 11/Jan/2022 | SCALE | 1:1 | DRAWING NO | IMOPLT.FCT.1100B2/1 | SIZE | A4 |
|--------------|------|-------------|-------|-----|------------|---------------------|------|----|

| REVISION | DESCRIPTION | REVISED BY | DATE |
|----------|---------------|------------|-------------|
| A | FIRST RELEASE | CONNIE | 11/Jan/2022 |



| Item | P/N | Description | Qty. |
|------|-----------------|-------------------------------------------|------|
| 1 | P.115.0000.0A | DRIVE MODULE MOTOR | 6 |
| 2 | 115.0012.0 | CYLINDER ROUND HEAD CAP SCREW M5X16 | 1 |
| 3 | 115.0005.357C | DRIVE MODULE COVER GREY P431C | 1 |
| 4 | 115.0003.0B | DRIVE MOTOR RUBBER | 1 |
| 5 | 115.0002.0 | COUNTER SUNK BOLT M4X25 | 4 |
| 6 | S.115.0000.0A | ASSY DRIVE MODULE MOTOR | 1 |
| 7 | 115.0004.0 | PULLEY 864 | 1 |
| 8 | 115.0023.0 | SELF LOCKING RING ZA 5 | 3 |
| 9 | S.115.0009.0C | IDLER COMPLETE TYP C | 2 |
| 10 | S.115.0008.0C | ASSY IDLER TYP B | 1 |
| 11 | 115.0006.0D | DRIVE PULLEY CW | 1 |
| 12 | 115.0007.0E | DRIVE PULLEY CCW | 1 |
| 13 | 115.0011.0 | EJOT PT SCREW WN 5451 30X10 | 4 |
| 14 | S.115.0020.357 | ASSY DRIVE MODULE WATER DISTRIBUTOR | 1 |
| 15 | 115.0097.0A | DRIVE MODULE CHASSIS BEARING SUPPORT RING | 2 |
| 16 | S.115.0010.357O | CHASSIS COMPLETE GREY P431C | 1 |
| 17 | 115.0195.0 | BALL BEARING 6002 ZZ | 4 |
| 18 | S.115.0016.357A | ASSY BRUSH COUPLING CW GREY P431C | 1 |
| | S.115.0017.357A | ASSY BRUSH COUPLING CCW GREY P431C | 1 |

TOLERANCE UNSPECIFIED

| LINE | ANGLE | REMARK: |
|------|--------|-----------|
| XXX | ±0.005 | X ±2° |
| XX | ±0.05 | X ±1.5° |
| X | ±0.1 | XX ±1° |
| . | ±0.2 | XXX ±0.5° |
| XX | ±0.5 | ±1 |

REMARK:

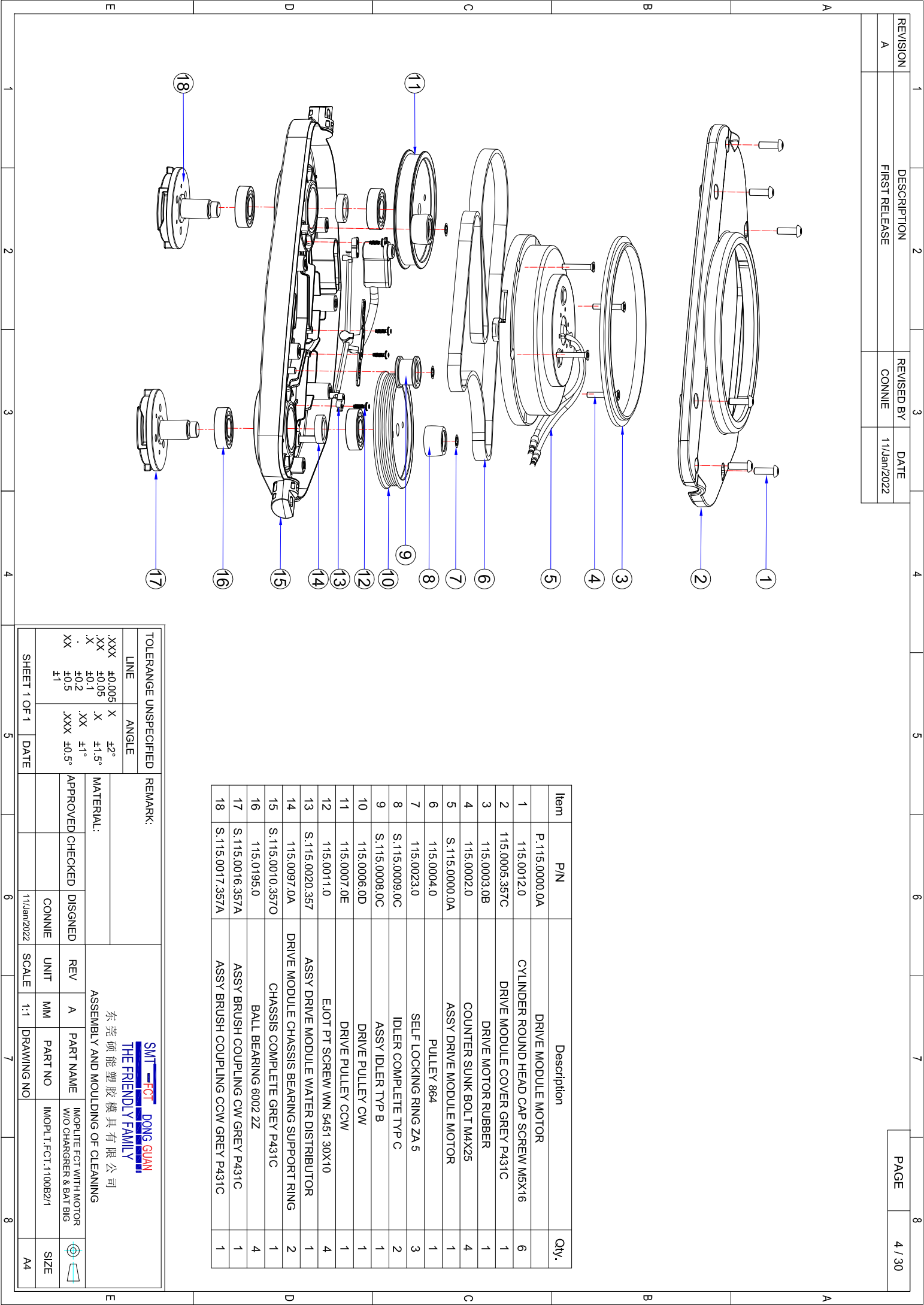
MATERIAL:
 APPROVED CHECKED DISIGNED
 CONNIE

| | | | | | | | | |
|--------------|------|-------------|-------|-----|------------|----------------------|------|----|
| SHEET 1 OF 1 | DATE | 11/Jan/2022 | SCALE | 1:1 | DRAWING NO | IMOP.LT.FCT.110082/1 | SIZE | A4 |
|--------------|------|-------------|-------|-----|------------|----------------------|------|----|

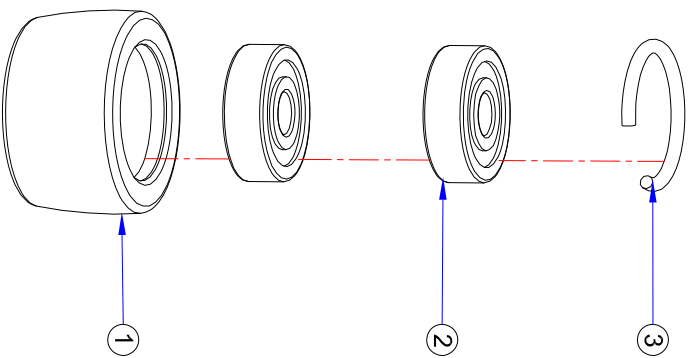
SMT-FCT DONG GUAN
THE FRIENDLY FAMILY

东莞硕能塑胶模具有限公司
 ASSEMBLY AND MOLDING OF CLEANING

IMOP.LT.FCT WITH MOTOR
 W/O CHARGER & BATT BIG



| REVISION | DESCRIPTION | REVISED BY | DATE |
|----------|---------------|------------|-------------|
| A | FIRST RELEASE | CONNIE | 11/Jan/2022 |



| Item | P/N | Description | Qty. |
|------|---------------|-----------------------------|------|
| | S.115.0009.0C | IDLER COMPLETE TYP C | |
| 1 | 115.0009.0C | IDLER TYP C | 1 |
| 2 | 115.0182.0 | BALL BEARING 625 2Z | 2 |
| 3 | 115.0183.0 | SNAP RING CIRCLIP RB 16X1.6 | 1 |

| TOLERANCE UNSPECIFIED | | REMARK: | |
|-----------------------|--------|---------|-------|
| LINE | ANGLE | ANGLE | |
| XXX | ±0.005 | X | ±2° |
| XX | ±0.05 | X | ±1.5° |
| X | ±0.1 | XX | ±1° |
| . | ±0.2 | XXX | ±0.5° |
| XX | ±0.5 | | |
| | ±1 | | |

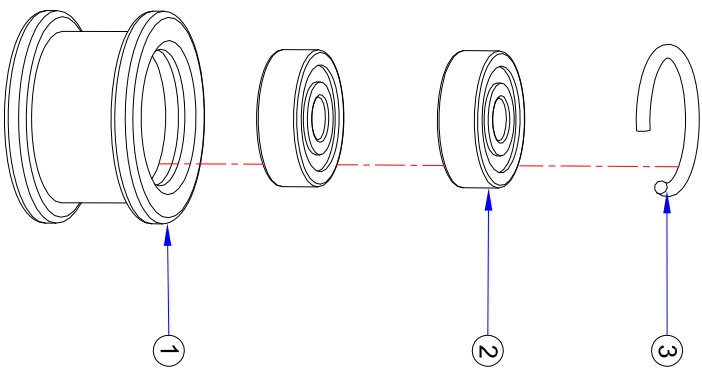
| | | |
|--------------|------|-------------|
| SHEET 1 OF 1 | DATE | 11/Jan/2022 |
|--------------|------|-------------|

| | | | | | | |
|----------|---------|----------|-----|------|-----------|-----------------------------------------------|
| APPROVED | CHECKED | DISIGNED | REV | UNIT | PART NAME | IMOPLETE FCT WITH MOTOR W/O CHARGER & BAT BIG |
| | | CONNIE | A | MM | PART NO | IMOPT.FCT.1100B2/1 |

| | | | | |
|-------|-----|------------|------|----|
| SCALE | 1:1 | DRAWING NO | SIZE | A4 |
|-------|-----|------------|------|----|

SMT-FOT DONG GUAN
 THE FRIENDLY FAMILY
 东莞硕能塑胶模具有限公司
 ASSEMBLY AND MOULDING OF CLEANING

| REVISION | DESCRIPTION | REVISED BY | DATE |
|----------|---------------|------------|-------------|
| A | FIRST RELEASE | CONNIE | 11/Jan/2022 |



| Item | P/N | Description | Qty. |
|------|---------------|-----------------------------|------|
| | S.115.0008.0C | ASSY IDLER TYP B | |
| 1 | 115.0008.0C | IDLER TYP B | 1 |
| 2 | 115.0182.0 | BALL BEARING 625 2Z | 2 |
| 3 | 115.0183.0 | SNAP RING CIRCLIP RB 16X1.6 | 1 |

| TOLERANCE UNSPECIFIED | | REMARK: | |
|-----------------------|--------|---------|-------|
| LINE | ANGLE | ANGLE | |
| XXX | ±0.005 | X | ±2° |
| XX | ±0.05 | X | ±1.5° |
| X | ±0.1 | .XX | ±1° |
| . | ±0.2 | XXX | ±0.5° |
| XX | ±0.5 | ±1 | |

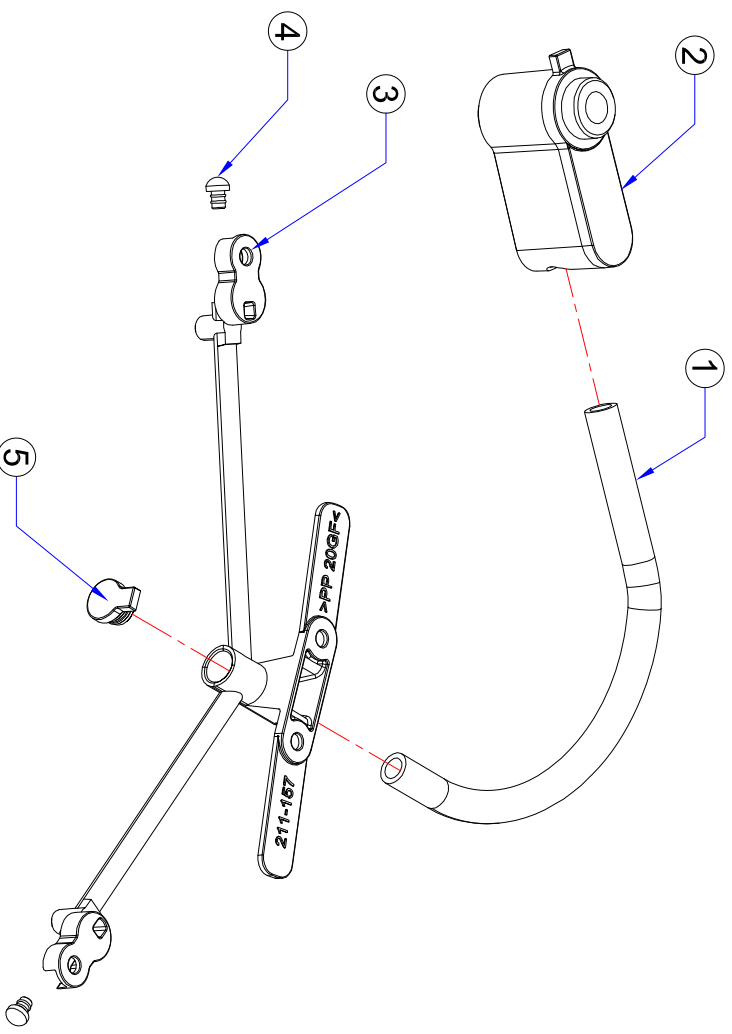
| | | |
|--------------|------|-------------|
| SHEET 1 OF 1 | DATE | 11/Jan/2022 |
|--------------|------|-------------|

| | | | | | | |
|----------|---------|----------|-----|------|-----------|-----------------------------------------------|
| APPROVED | CHECKED | DISIGNED | REV | UNIT | PART NAME | IMOPUTE FCT WITH MOTOR W/O CHARGER & BATT BIG |
| | | CONNIE | A | MM | PART NO | IMOPT.FCT.1100B2/1 |

| | | | | |
|-------|-----|------------|------|----|
| SCALE | 1:1 | DRAWING NO | SIZE | A4 |
|-------|-----|------------|------|----|

SMT-FOT DONG GUAN
 THE FRIENDLY FAMILY
 东莞硕能塑胶模具有限公司
 ASSEMBLY AND MOULDING OF CLEANING

| | | | |
|----------|---------------|------------|-------------|
| REVISION | DESCRIPTION | REVISED BY | DATE |
| A | FIRST RELEASE | CONNIE | 11/Jan/2022 |



| Item | P/N | Description | Qty. |
|------|----------------|------------------------------------------|------|
| 1 | S.115.0020.357 | ASSY DRIVE MODULE WATER DISTRIBUTOR | |
| 1 | 115.0022.0 | DRIVE MODULE HOSE EXTERNAL | 1 |
| 2 | 115.0021.0A | DRIVE MODULE RUBBER COUPLING | 1 |
| 3 | 115.0020.357D | DRIVE MODULE WATER DISTRIBUTOR GREY P431 | 1 |
| 4 | 115.0015.0B | DRIVE MODULE RUBBER END STOP | 2 |
| 5 | 115.0014.0A | DRIVE MODULE RUBBER STOP | 1 |

TOLERANCE UNSPECIFIED

| LINE | ANGLE | REMARK: |
|------|--------|------------|
| XXX | ±0.005 | X ±2° |
| XX | ±0.05 | X ±1.5° |
| X | ±0.1 | X ±1° |
| . | ±0.2 | .XX ±1° |
| XX | ±0.5 | .XXX ±0.5° |
| | ±1 | |

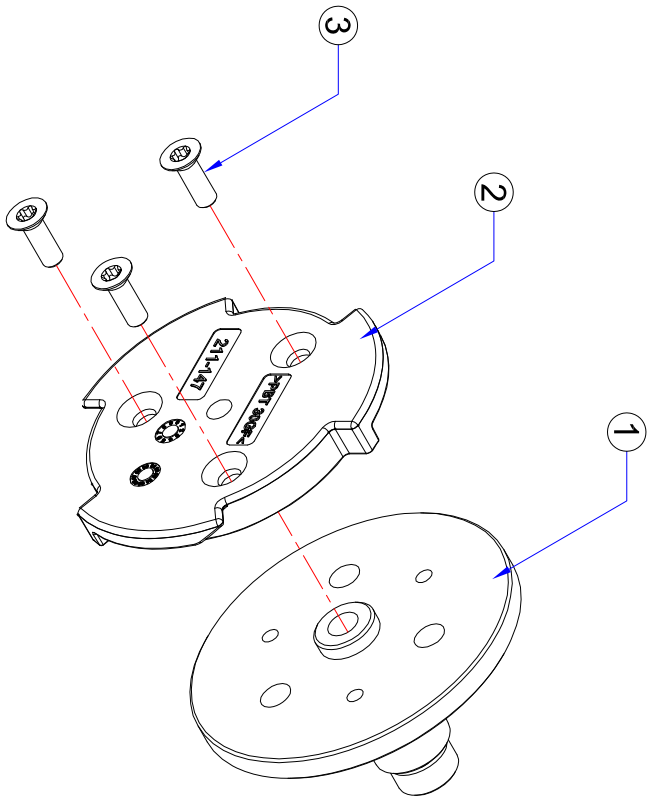
REMARK:
 MATERIAL:
 APPROVED CHECKED
 DISIGNED
 CONNIE
 REV A
 UNIT MM
 SCALE 1:1
 DRAWING NO

SMT-FCT DONG GUAN
THE FRIENDLY FAMILY
 东莞硕能塑胶模具有限公司
 ASSEMBLY AND MOULDING OF CLEANING

IMOPUTE FCT WITH MOTOR
 W/O CHARGER & BATT BIG
 IMOPL.T.FCT.1100B2/1

SHEET 1 OF 1 DATE 11/Jan/2022

| | | | |
|----------|---------------|------------|-------------|
| REVISION | DESCRIPTION | REVISED BY | DATE |
| A | FIRST RELEASE | CONNIE | 11/Jan/2022 |



| Item | P/N | Description | Qty. |
|------|-----------------|-----------------------------------|------|
| 1 | S.115.0016.357A | ASSY BRUSH COUPLING CW GREY P431C | 1 |
| 2 | 115.0018.0D | PULLEY AXIS CW | 1 |
| 3 | 115.0016.357D | BRUSH COUPLING CW GREY P431C | 1 |
| 3 | 115.0013.0 | COUNTER SUNK BOLT M4X12 | 3 |

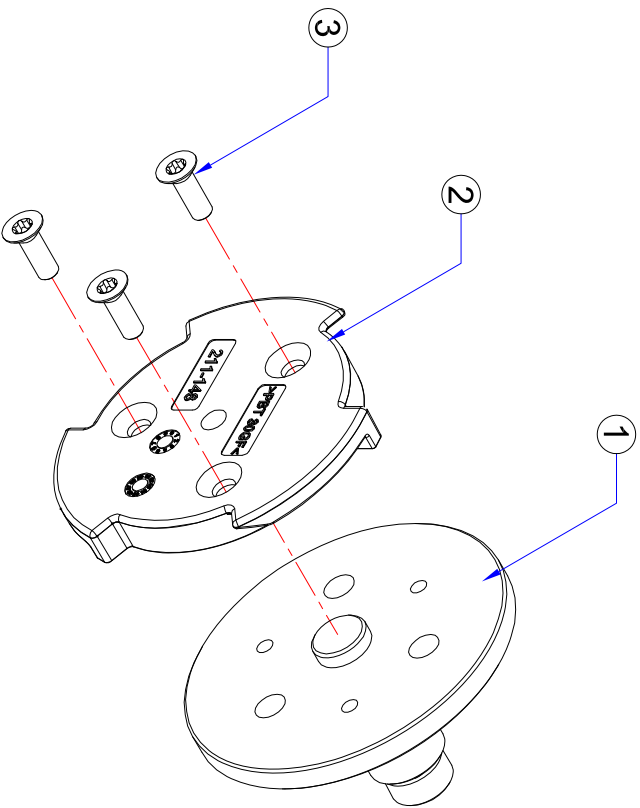
| | | | |
|-----------------------|------------|-------------|-------|
| TOLERANCE UNSPECIFIED | | REMARK: | |
| LINE | ANGLE | REV | UNIT |
| XXX ±0.005 | X ±2° | A | MM |
| XX ±0.05 | X ±1.5° | | |
| X ±0.1 | .XX ±1° | | |
| . ±0.2 | .XXX ±0.5° | | |
| XX ±0.5 | ±1 | | |
| SHEET 1 OF 1 | | DATE | SCALE |
| | | 11/Jan/2022 | 1:1 |
| | | DRAWING NO | SIZE |
| | | | A4 |

东莞硕能塑胶模具有限公司

 ASSEMBLY AND MOULDING OF CLEANING

IMOPUTE FCT WITH MOTOR
 W/O CHARGER & BATT BIG
 IMOPT.FCT.1100B2/1

| | | | |
|----------|---------------|------------|-------------|
| REVISION | DESCRIPTION | REVISED BY | DATE |
| A | FIRST RELEASE | CONNIE | 11/Jan/2022 |

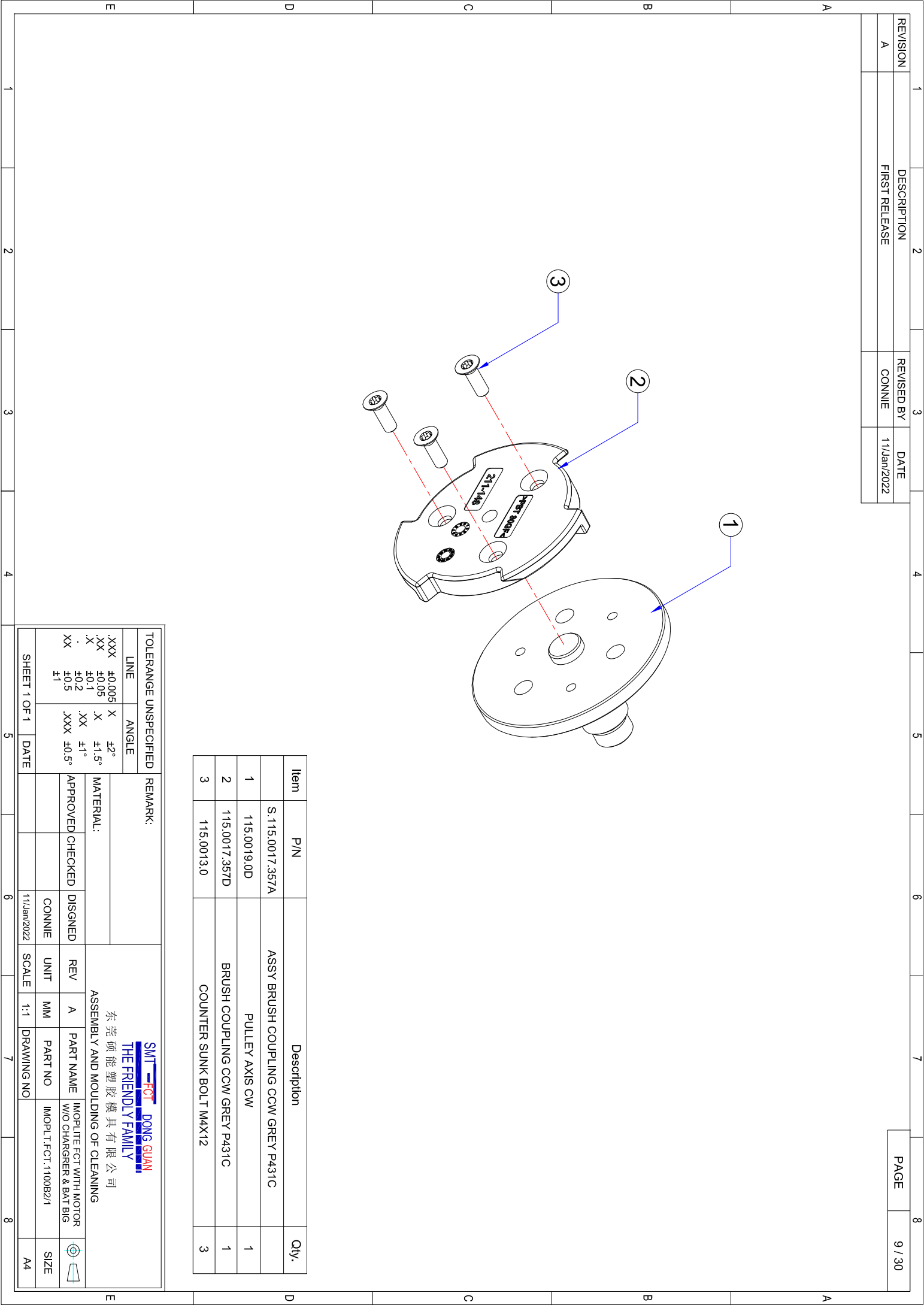


| Item | P/N | Description | Qty. |
|------|-----------------|------------------------------------|------|
| 1 | S.115.0017.357A | ASSY BRUSH COUPLING CCW GREY P431C | 1 |
| 2 | 115.0019.0D | PULLEY AXIS CW | 1 |
| 3 | 115.0017.357D | BRUSH COUPLING CCW GREY P431C | 1 |
| 3 | 115.0013.0 | COUNTER SUNK BOLT MAX12 | 3 |

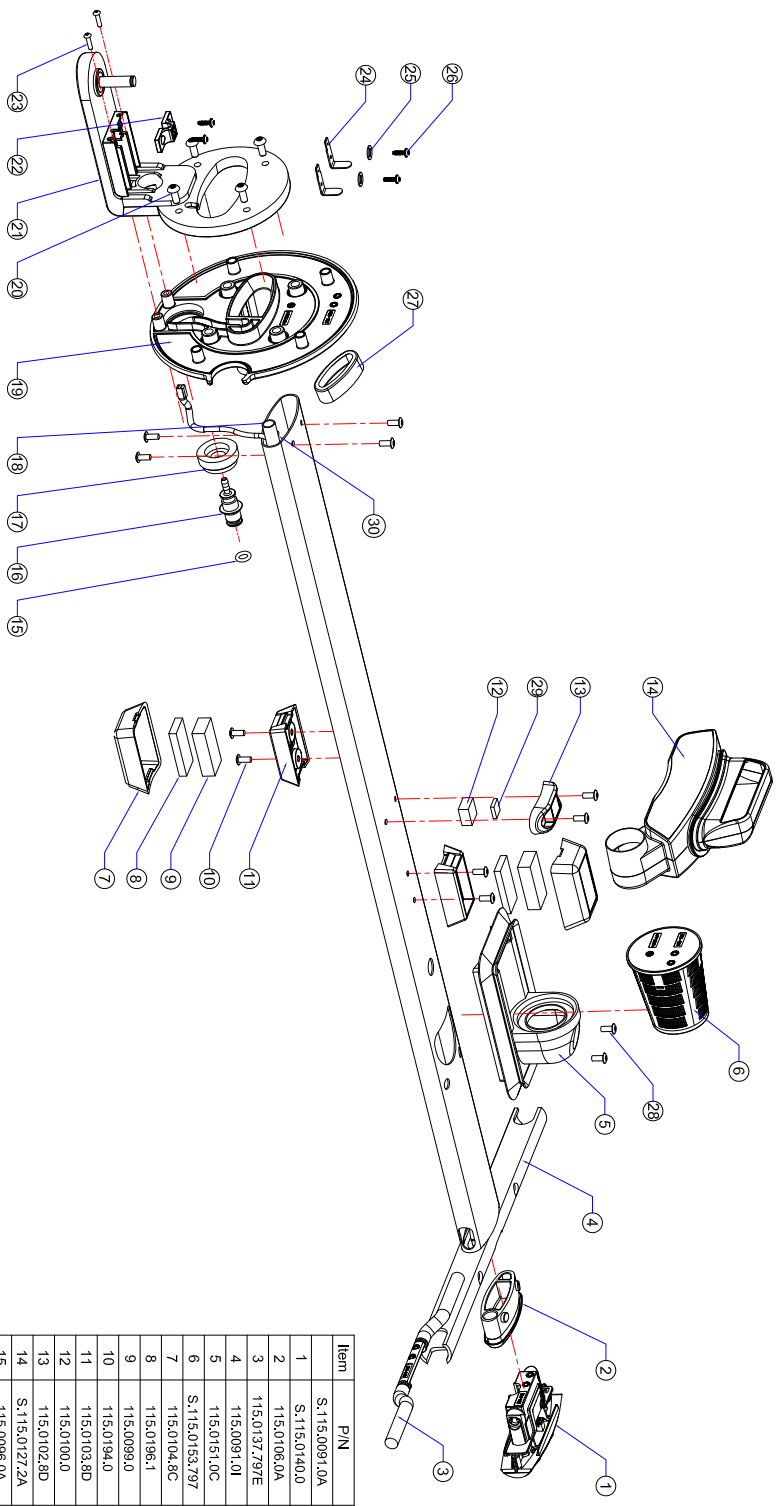
| | | | |
|-----------------------|------------|--------------------|------------------------------------------------|
| TOLERANCE UNSPECIFIED | | REMARK: | |
| LINE | ANGLE | REVISION | DATE |
| XXX ±0.005 | X ±2° | | |
| XX ±0.05 | X ±1.5° | | |
| X ±0.1 | .XX ±1° | | |
| . ±0.2 | .XXX ±0.5° | | |
| XX ±0.5 | ±1 | | |
| SHEET 1 OF 1 | | DATE | |
| | | 11/Jan/2022 | |
| APPROVED | | CHECKED | DISIGNED |
| | | | CONNIE |
| REV | UNIT | PART NAME | IMOPLETE FCT WITH MOTOR W/O CHARGER & BATT BIG |
| A | MM | | |
| SCALE | DRAWING NO | IMOPT.FCT.1100B2/1 | SIZE |
| 1:1 | | | A4 |

东莞硕能塑胶模具有限公司

 ASSEMBLY AND MOULDING OF CLEANING



| | | | |
|----------|---------------|------------|-------------|
| REVISION | DESCRIPTION | REVISED BY | DATE |
| A | FIRST RELEASE | CONNIE | 11/Jan/2022 |



| Item | P/N | Description | Qty. |
|------|-----------------|---------------------------------------|------|
| 1 | S.115.0091.0A | ASSY TUBE | 1 |
| 1 | S.115.0140.0 | ASSY CONTROL UNIT PCB | 1 |
| 2 | 115.0106.0A | TUBE RUBBER | 1 |
| 3 | 115.0137.797E | CONTROL UNIT HANDLE | 1 |
| 4 | 115.0091.0I | TUBE | 1 |
| 5 | 115.0151.0C | FLOAT TOP SEAL | 1 |
| 6 | S.115.0153.797 | ASSY HOLLOW BALL 38 | 1 |
| 7 | 115.0104.8C | TANK HOLDER COVER YELLOW | 2 |
| 8 | 115.0196.1 | EVA WASHER 40X20X1.5 | 2 |
| 9 | 115.0099.0 | NEODYMIUM MAGNET BLOCK 40X20X10 | 2 |
| 10 | 115.0194.0 | CLOSED RIVET 4X10 | 10 |
| 11 | 115.0103.8D | TANK HOLDER FIXATION YELLOW | 1 |
| 12 | 115.0100.0 | NEODYMIUM MAGNET BLOCK 15X15X8 | 1 |
| 13 | 115.0102.8D | HOSE CONNECTOR HOLDER FIXATION YELLOW | 1 |
| 14 | S.115.0127.2A | ASSY HOSE CONNECTOR HOLDER BOTTOM | 1 |
| 15 | 115.0096.0A | O-RING 6X3 | 1 |
| 16 | 115.0110.0C | WATER CONNECTOR MALE PIN | 1 |
| 17 | 115.0111.0B | WATER CONNECTOR MALE RUBBER | 1 |
| 18 | 115.0105.0 | CONTROL UNIT CABLE COMPLETE | 1 |
| 19 | 115.0093.357H | TUBE MAIN ADAPTER GREY P431C | 1 |
| 20 | 115.0095.0 | CYLINDER ROUND HEAD CAP SCREW M3X12 | 4 |
| 21 | S.115.0092.357G | HINGE BRACKET GREY P431C | 1 |
| 22 | 115.0116.357B | HINGE BRACKET COVER GREY P431C | 1 |
| 23 | 115.0099.0 | CYLINDER HEAD CAP SCREW M3X12 | 2 |
| 24 | 115.0115.0A | VACUUM MOTOR ELECTRO CONTACT LARGER | 2 |
| 25 | 115.0208.0 | PA WASHER 3X8X1MM | 2 |
| 26 | 115.0011.0 | EJOT PT SCREW WN 5451 30X10 | 4 |
| 27 | 115.0242.357 | TUBE MAIN ADAPTER SEAL GREY | 1 |
| 28 | 115.0039.1 | SCREW S13X20 | 2 |
| 29 | 115.0196.2 | EVA WASHER 15X15X1.5MM | 2 |
| 30 | 115.0113.2 | CONTROL CABLE TUBE | 1 |

TOLERANCE UNSPECIFIED

REMARK:

ASSEMBLY AND MOLDING OF CLEANING

SMT-FCT DONG GUAN
THE FRIENDLY FAMILY

东莞硕能塑胶模具有限公司
ASSEMBLY AND MOLDING OF CLEANING

| LINE | ANGLE | REMARK: |
|------|-------|---------|
| XXX | ±2° | |
| XX | ±1.5° | |
| X | ±1° | |
| .X | ±0.5° | |
| .XX | ±1° | |
| .X | ±0.5° | |
| XX | ±1° | |
| .X | ±0.5° | |
| XX | ±1° | |
| .X | ±0.5° | |

SHEET 1 OF 1

DATE

11/Jan/2022

SCALE

1:1

DRAWING NO

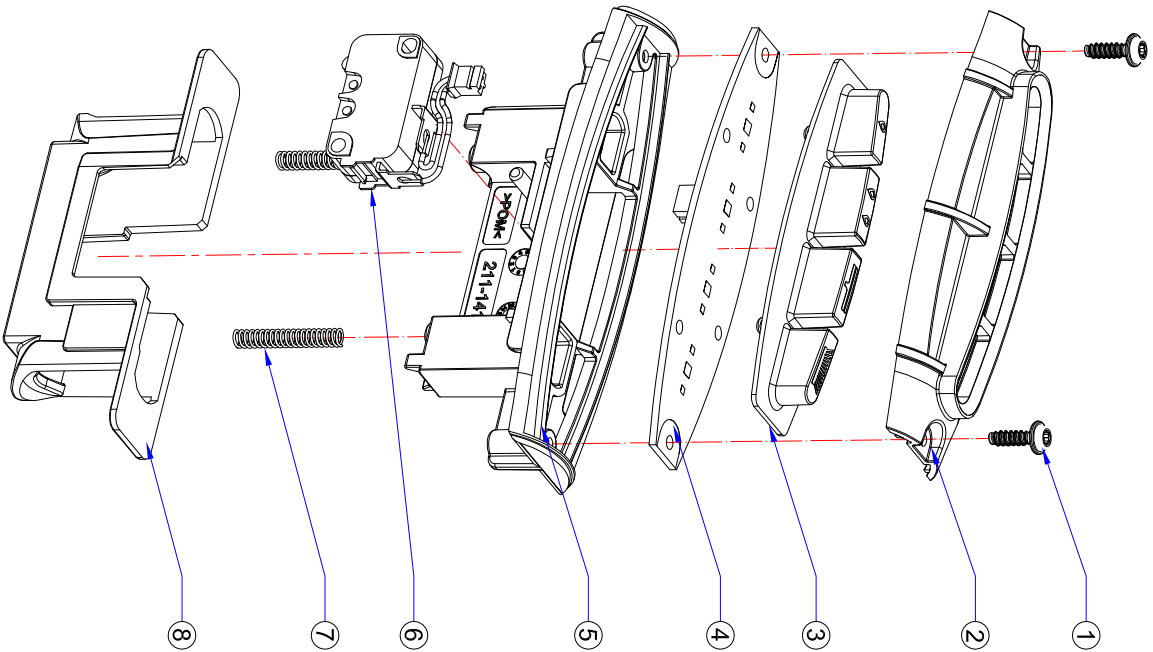
SIZE

1 2 3 4 5 6 7 8

1 2 3 4 5 6 7 8

1 2 3 4 5 6 7 8

| | | | |
|----------|---------------|------------|-------------|
| REVISION | DESCRIPTION | REVISED BY | DATE |
| A | FIRST RELEASE | CONNIE | 11/Jan/2022 |



| Item | P/N | Description | Qty. |
|------|--------------|----------------------------------|------|
| 1 | S.115.0140.0 | ASSY CONTROL UNIT PCB | |
| 1 | 115.0011.0 | EJOT PT SCREW WN 5451 30X10 | 2 |
| 2 | 115.0134.2B | CONTROL UNIT KEY PAD FRAME WHITE | 1 |
| 3 | 115.0138.0B | CONTROL UNIT KEY PAD | 1 |
| 4 | 115.0135.0B | CONTROL UNIT PCB | 1 |
| 5 | 115.0136.0E | CONTROL UNIT PCB FRAME | 1 |
| 6 | S.115.0139.0 | ASSY CONTROL UNIT POWER SWITCH | 1 |
| 7 | 115.0133.0 | COMPRESSION SPRING 2.7X3.7X23.5 | 2 |
| 8 | 115.0140.0G | CONTROL UNIT HANDLE FRAME | 1 |

TOLERANCE UNSPECIFIED

| LINE | ANGLE | ANGLE |
|------|--------|-------|
| XXX | ±0.005 | ±2° |
| XX | ±0.05 | ±1.5° |
| X | ±0.1 | ±1° |
| . | ±0.2 | ±1° |
| XX | ±0.5 | ±0.5° |
| | ±1 | |

REMARK:

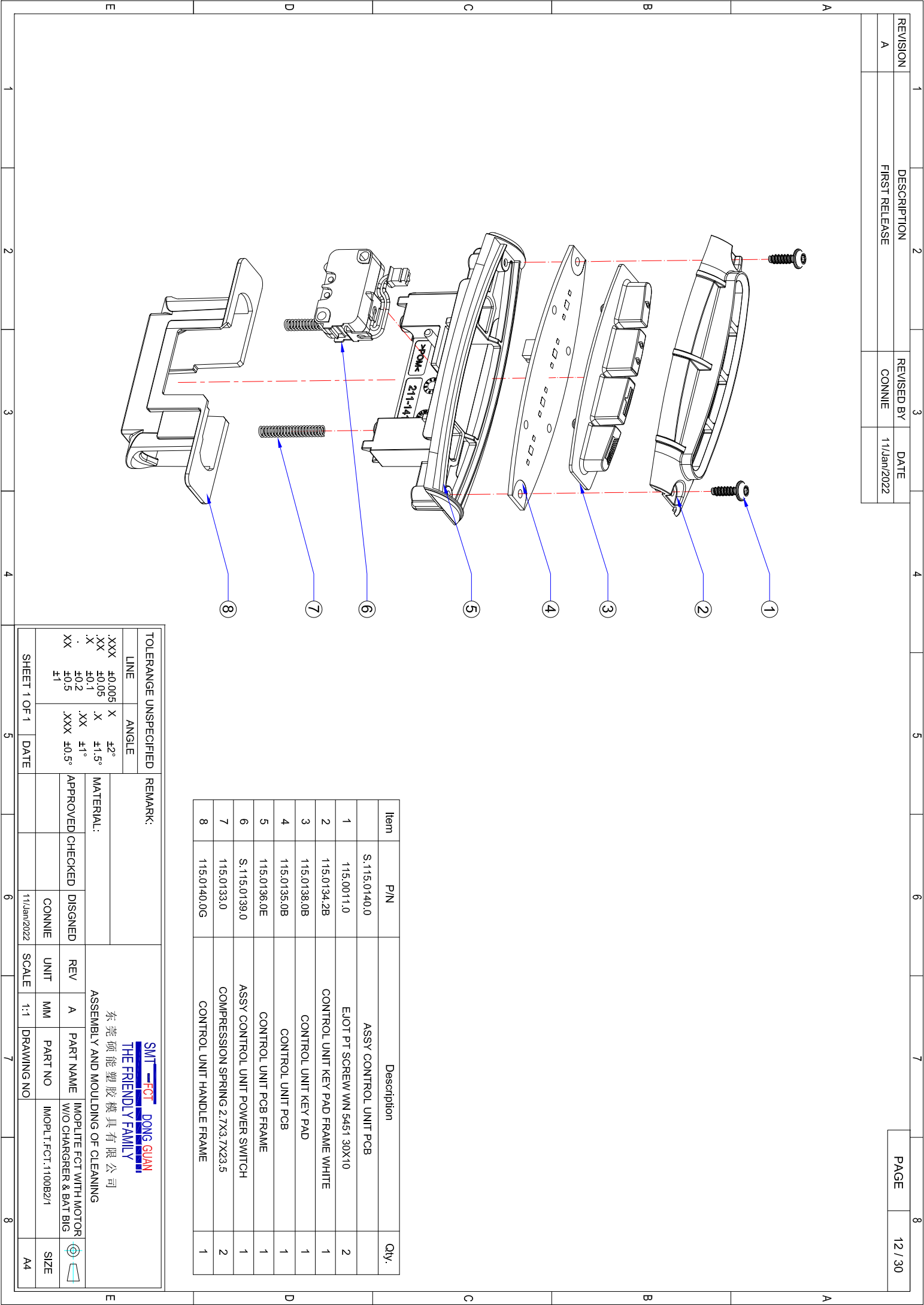
MATERIAL:
APPROVED CHECKED DISIGNED

| | | | | | | | | |
|--------------|------|-------------|-------|-----|------------|---------------------|------|----|
| SHEET 1 OF 1 | DATE | 11/Jan/2022 | SCALE | 1:1 | DRAWING NO | IMOPLT.FCT.1100B2/1 | SIZE | A4 |
|--------------|------|-------------|-------|-----|------------|---------------------|------|----|

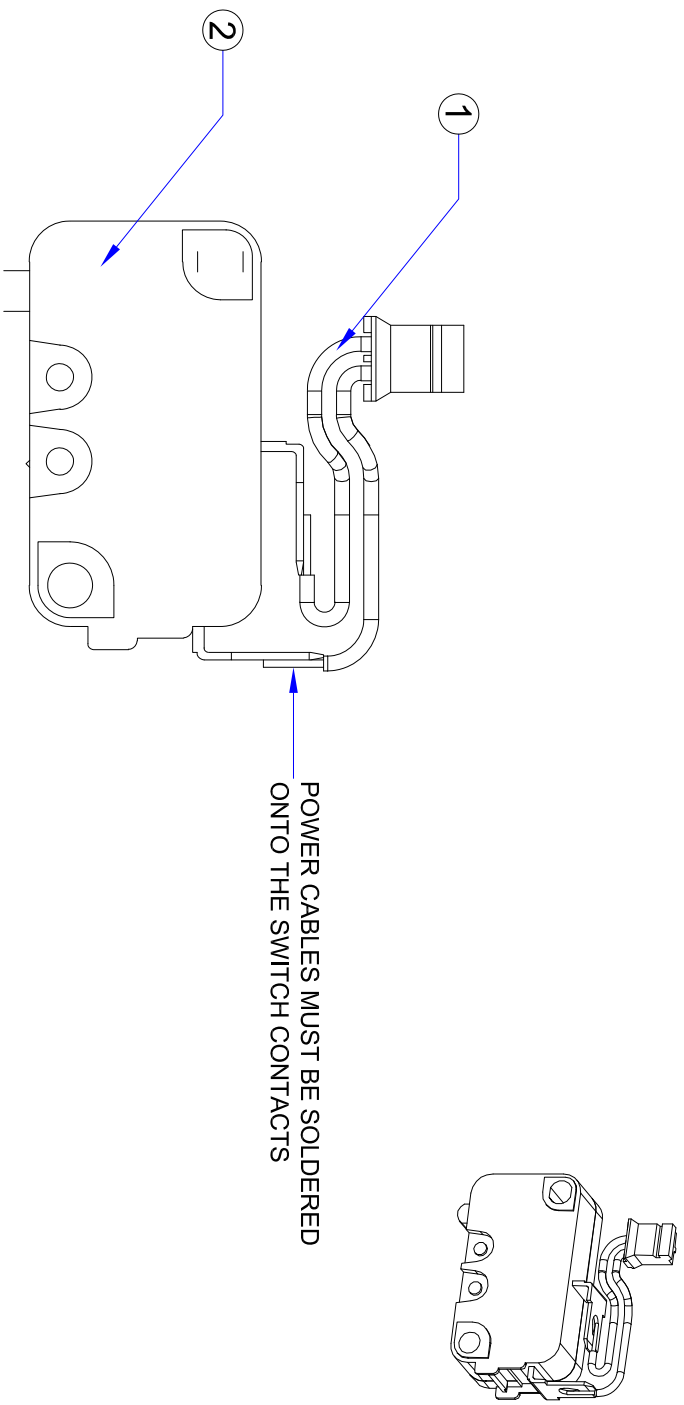
SMT-FCT DONG GUAN
THE FRIENDLY FAMILY

东莞硕能塑胶模具有限公司
ASSEMBLY AND MOULDING OF CLEANING

IMOPUTE FCT WITH MOTOR
W/O CHARGER & BAT BIG



| REVISION | DESCRIPTION | REVISED BY | DATE |
|----------|---------------|------------|-------------|
| A | FIRST RELEASE | CONNIE | 11/Jan/2022 |



| Item | P/N | Description | Qty. |
|------|--------------|----------------------------------|------|
| 1 | S.115.0139.0 | ASSY CONTROL UNIT POWER SWITCH | |
| 1 | 115.0139.0 | CONTROL UNIT POWER SWITCH | 1 |
| 2 | 72.0060.2 | POWER SWITCH CONTROL UNIT OMORON | 1 |

TOLERANCE UNSPECIFIED

| LINE | ANGLE | REMARK: |
|------|--------|------------|
| XXX | ±0.005 | X ±2° |
| XX | ±0.05 | X ±1.5° |
| X | ±0.1 | .XX ±1° |
| . | ±0.2 | .XX ±0.5° |
| XX | ±0.5 | .XXX ±0.5° |
| | ±1 | |

REMARK:

MATERIAL:

APPROVED CHECKED DISIGNED

CONNIE

SCALE 1:1

DRAWING NO

DATE 11/Jan/2022

UNIT MM

REV A

PART NAME

IMOPUTE FCT WITH MOTOR W/O CHARGER & BAT BIG

IMOPT.FCT.1100B2/1

SIZE

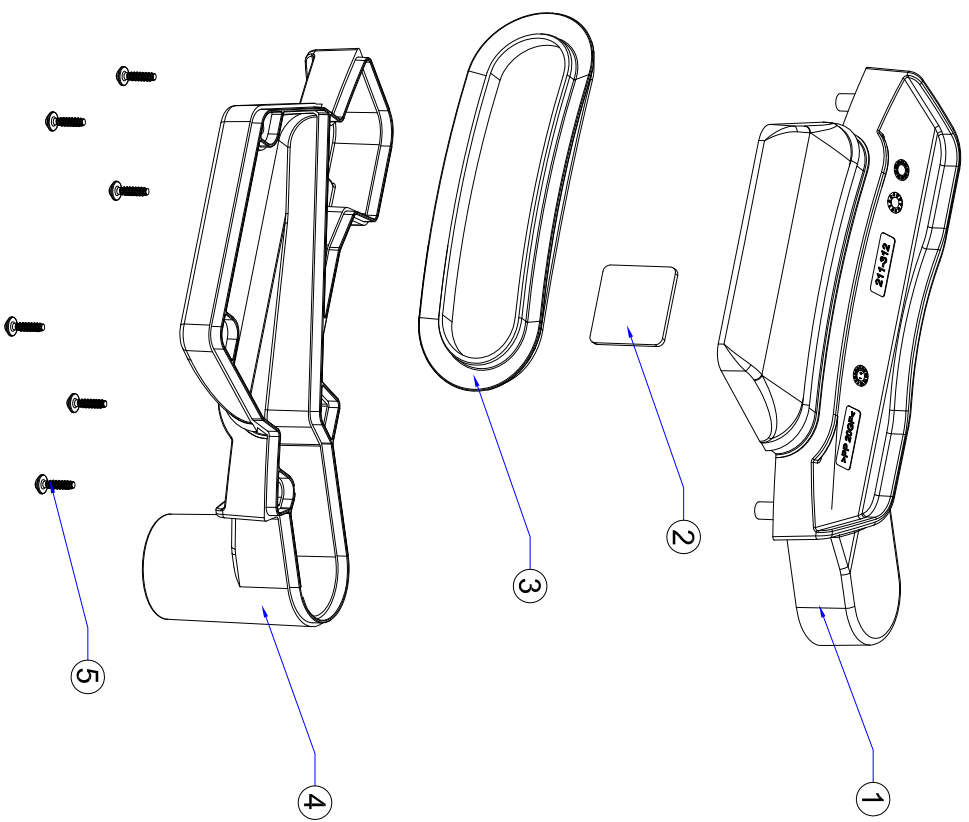
ASSEMBLY AND MOULDING OF CLEANING

SMT-FCT DONG GUAN

THE FRIENDLY FAMILY

东莞硕能塑胶模具有限公司

| | | | |
|----------|---------------|------------|-------------|
| REVISION | DESCRIPTION | REVISED BY | DATE |
| A | FIRST RELEASE | CONNIE | 11/Jan/2022 |

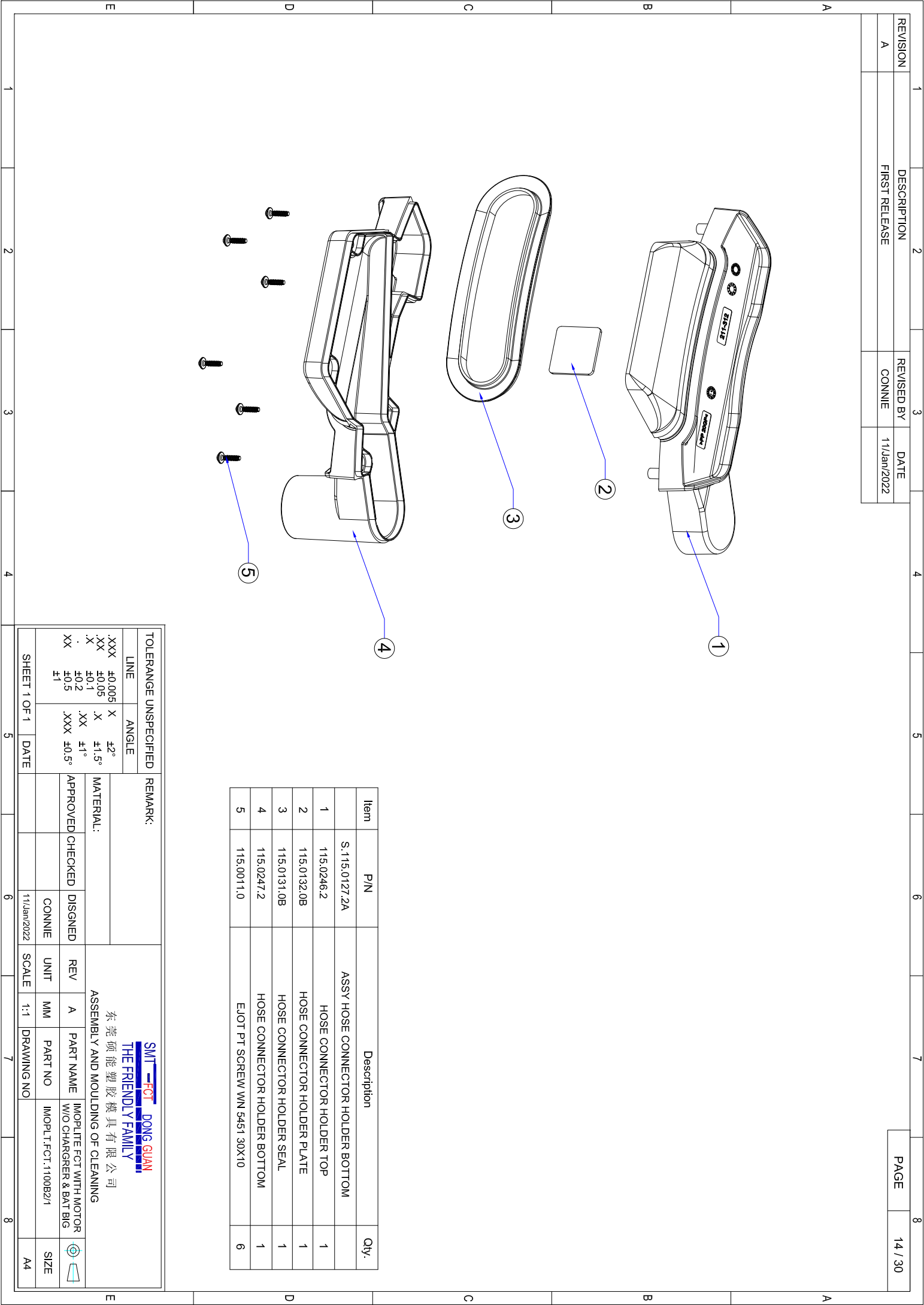


| Item | P/N | Description | Qty. |
|------|---------------|-----------------------------------|------|
| 1 | S.115.0127.2A | ASSY HOSE CONNECTOR HOLDER BOTTOM | 1 |
| 2 | 115.0246.2 | HOSE CONNECTOR HOLDER TOP | 1 |
| 3 | 115.0132.0B | HOSE CONNECTOR HOLDER PLATE | 1 |
| 4 | 115.0131.0B | HOSE CONNECTOR HOLDER SEAL | 1 |
| 5 | 115.0247.2 | HOSE CONNECTOR HOLDER BOTTOM | 1 |
| 5 | 115.0011.0 | EJOT PT SCREW WN 5451 30X10 | 6 |

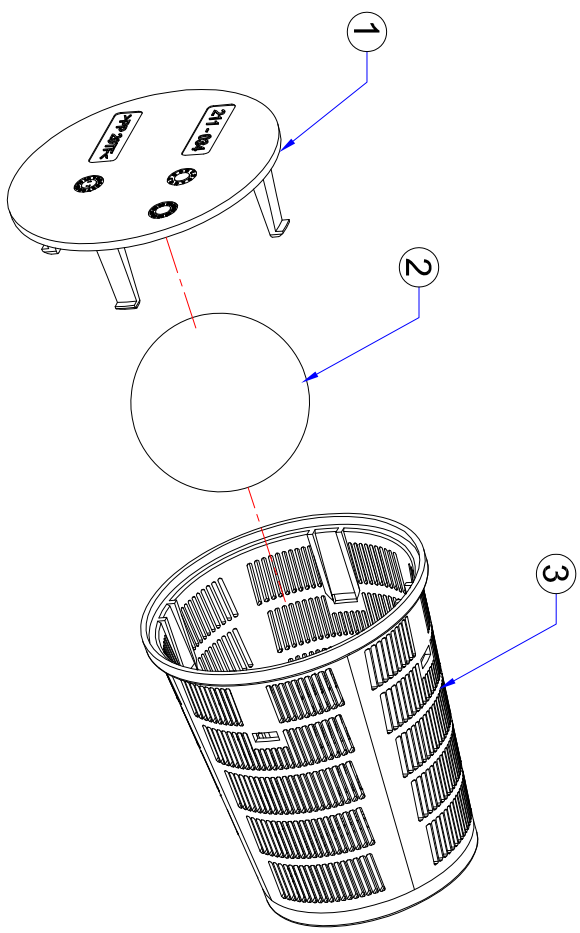
| | | | |
|-----------------------|-----------|----------------------|-------|
| TOLERANCE UNSPECIFIED | | REMARK: | |
| LINE | ANGLE | REV | UNIT |
| XXX ±0.005 | X ±2° | A | MM |
| XX ±0.05 | X ±1.5° | | |
| X ±0.1 | XX ±1° | | |
| . ±0.2 | XXX ±0.5° | | |
| XX ±1 | | | |
| SHEET 1 OF 1 | | DATE | SCALE |
| | | 11/Jan/2022 | 1:1 |
| DRAWING NO | | PART NO | |
| 1100B2/1 | | IMOP1.T.FCT.1100B2/1 | |
| SIZE | | A4 | |

东莞硕能塑胶模具有限公司

 ASSEMBLY AND MOULDING OF CLEANING



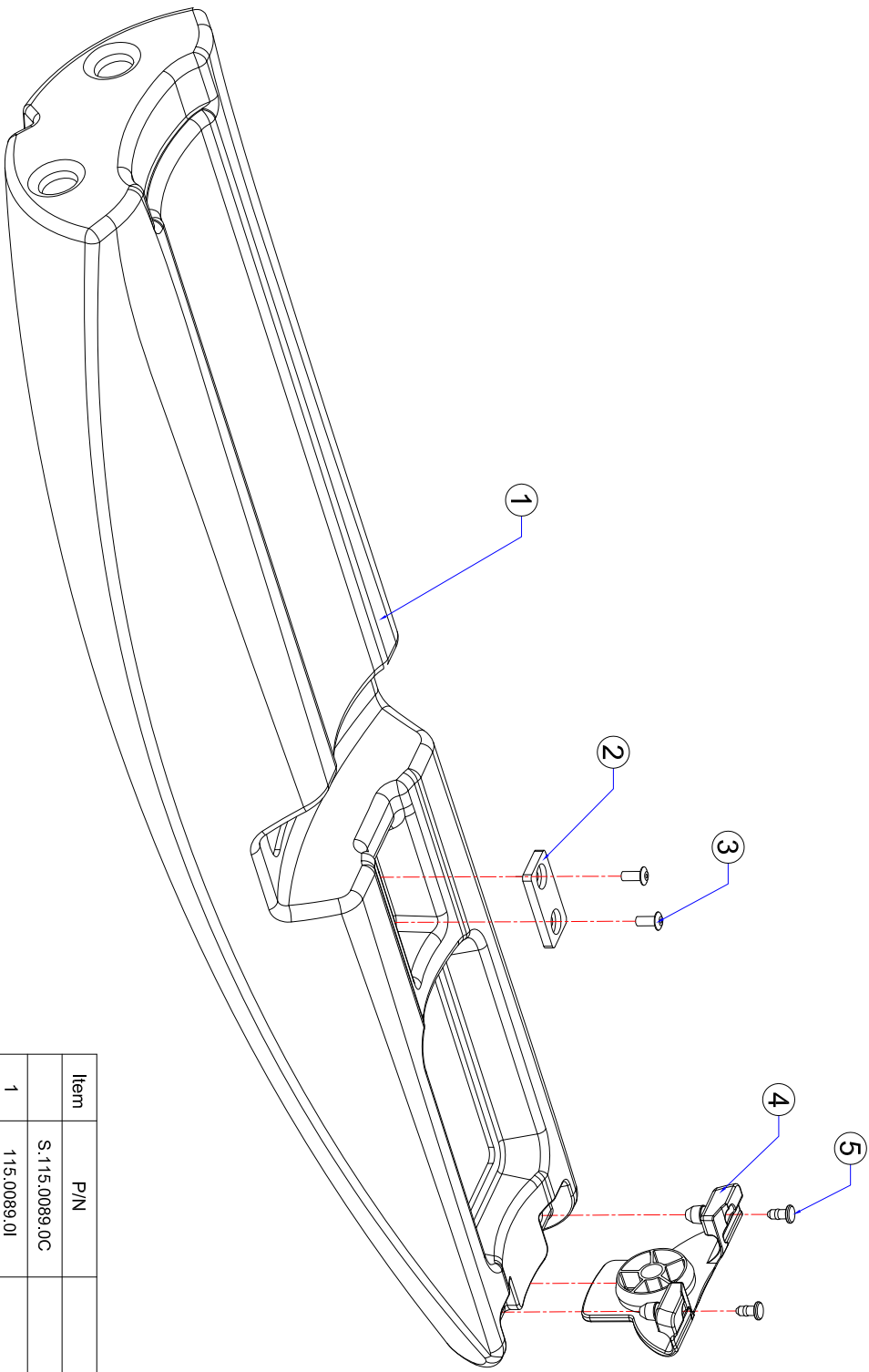
| | | | |
|----------|---------------|------------|-------------|
| REVISION | DESCRIPTION | REVISED BY | DATE |
| A | FIRST RELEASE | CONNIE | 11/Jan/2022 |



| Item | P/N | Description | Qty. |
|------|----------------|-----------------------------------|------|
| | S.115.0153.797 | ASSY HOLLOW BALL 38 | |
| 1 | 115.0152.797A | TOP UNIT FLOAT BOTTOM BLUE P312C | 1 |
| 2 | 115.0153.2 | WHITE HOLLOW BALL 38 | 1 |
| 3 | 115.0154.797A | BLUE P312C TOP UNIT FLOAT HOUSING | 1 |

| | | | | | | | |
|-----------------------|--------|-------|-------|-----------------------------------|---------|------------|-------------|
| TOLERANCE UNSPECIFIED | | | | REMARK: | | | |
| LINE | ANGLE | ANGLE | | APPROVED | CHECKED | DISIGNED | DATE |
| XXX | ±0.005 | X | ±2° | | | CONNIE | 11/Jan/2022 |
| XX | ±0.05 | X | ±1.5° | MATERIAL: | | | |
| X | ±0.1 | .XX | ±1° | ASSEMBLY AND MOULDING OF CLEANING | | | |
| . | ±0.2 | .XX | ±1° | SMT-FCT DONG GUAN | | | |
| XX | ±0.5 | XXX | ±0.5° | THE FRIENDLY FAMILY | | | |
| | ±1 | | | 东莞硕能塑胶模具有限公司 | | | |
| SHEET 1 OF 1 | | | | IMOPUTE FCT WITH MOTOR | | | |
| | | | | W/O CHARGER & BAT BIG | | | |
| | | | | SCALE | 1:1 | DRAWING NO | A4 |

| REVISION | DESCRIPTION | REVISED BY | DATE |
|----------|---------------|------------|-------------|
| A | FIRST RELEASE | CONNIE | 11/Jan/2022 |



| Item | P/N | Description | Qty. |
|------|---------------|---------------------------|------|
| 1 | S.115.0089.0C | ASSY VACUUM TANK + PRINT | |
| 1 | 115.0089.0I | VACUUM TANK + PRINT | 1 |
| 2 | 115.0080.0C | TANK HOLDER PLATE | 1 |
| 3 | 115.0194.0 | CLOSED RIVET 4X10 | 2 |
| 4 | 115.0090.0D | VACUUM TANK OPENING COVER | 1 |
| 5 | 115.0181.0A | PRESS STUD | 2 |

| LINE | ANGLE | REMARK: |
|------|--------|-----------|
| XXX | ±0.005 | X ±2° |
| XX | ±0.05 | X ±1.5° |
| X | ±0.1 | XX ±1° |
| . | ±0.2 | XX ±0.5° |
| XX | ±0.5 | XXX ±0.5° |
| | ±1 | |

| APPROVED | CHECKED | DISIGNED | REV | UNIT | PART NAME | IMOPLT.FCT.1100B2/1 | SCALE | DRAWING NO | SIZE |
|----------|---------|----------|-----|------|----------------------------------------------|---------------------|-------|------------|------|
| | | CONNIE | A | MM | IMOPUTE FCT WITH MOTOR W/O CHARGER & BAT BIG | | 1:1 | | A4 |

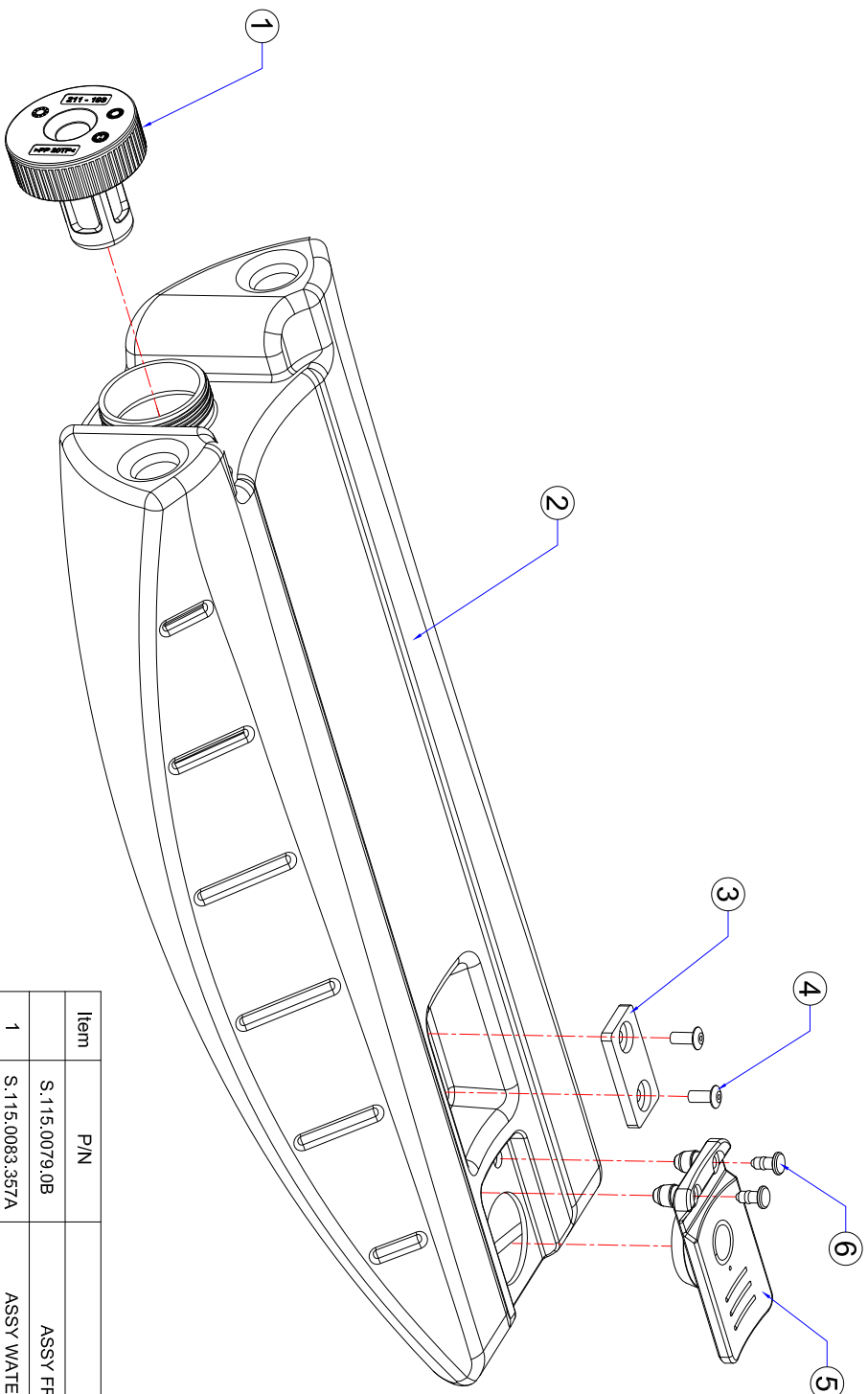
TOLERANCE UNSPECIFIED

REMARK:

MATERIAL:

ASSEMBLY AND MOULDING OF CLEANING

| REVISION | DESCRIPTION | REVISED BY | DATE |
|----------|---------------|------------|-------------|
| A | FIRST RELEASE | CONNIE | 11/Jan/2022 |



| Item | P/N | Description | Qty. |
|------|-----------------|------------------------------------------|------|
| 1 | S.115.0079.0B | ASSY FRESH WATER TANK + PRINT | 1 |
| 1 | S.115.0083.357A | ASSY FRESH WATER CONNECTOR FEMALE FILTER | 1 |
| 2 | 115.0079.0L | FRESH WATER TANK + PRINT | 1 |
| 3 | 115.0080.0C | TANK HOLDER PLATE | 1 |
| 4 | 115.0194.0 | CLOSED RIVET 4X10 | 2 |
| 5 | 115.0081.0D | FRESH WATER TANK OPENING COVER | 1 |
| 6 | 115.0181.0A | PRESS STUD | 2 |

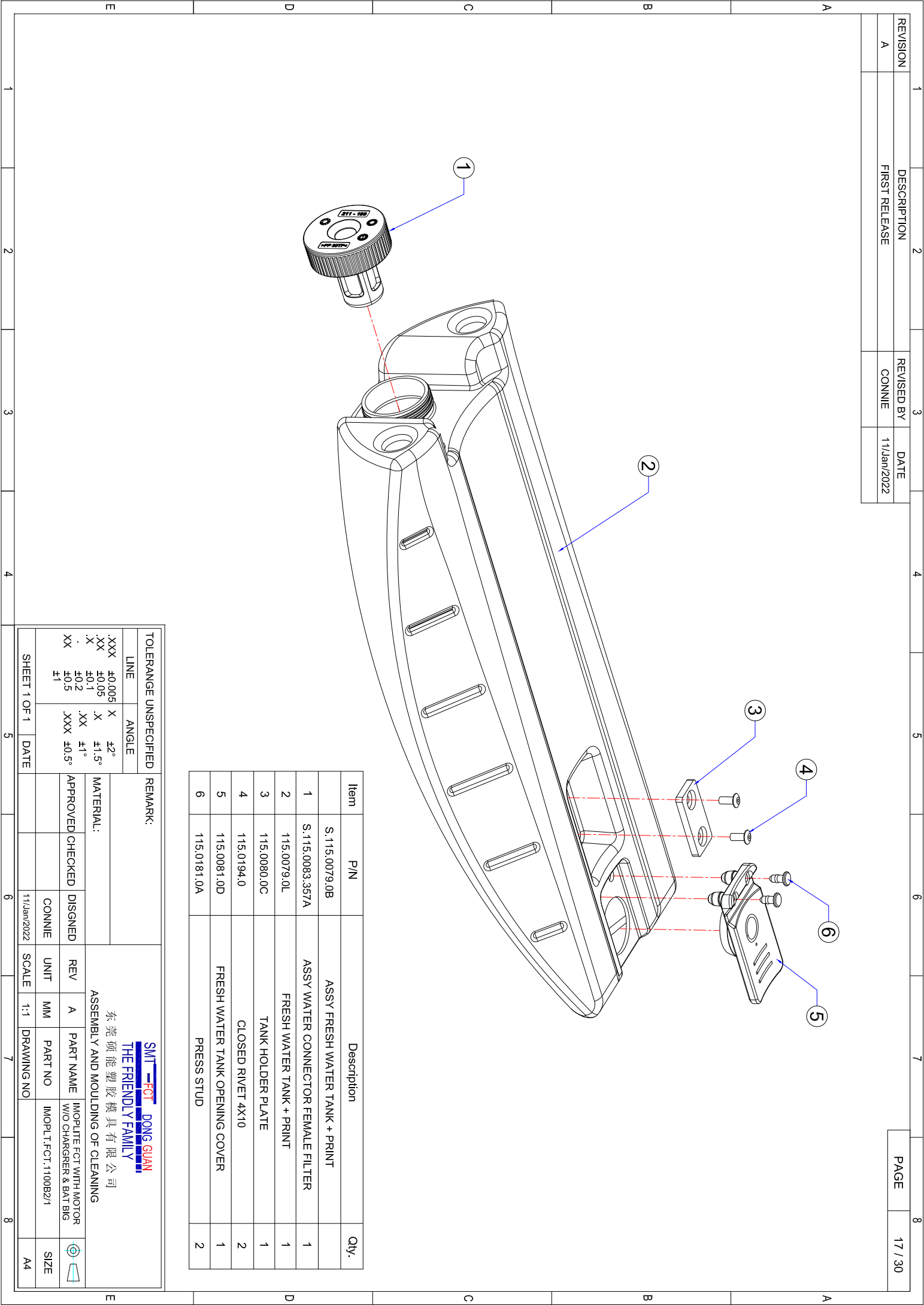
TOLERANCE UNSPECIFIED

| LINE | ANGLE | REMARK: |
|------|--------|------------|
| XXX | ±0.005 | X ±2° |
| XX | ±0.05 | X ±1.5° |
| X | ±0.1 | .X ±1° |
| . | ±0.2 | .XX ±1° |
| XX | ±0.5 | .XXX ±0.5° |
| ±1 | | |

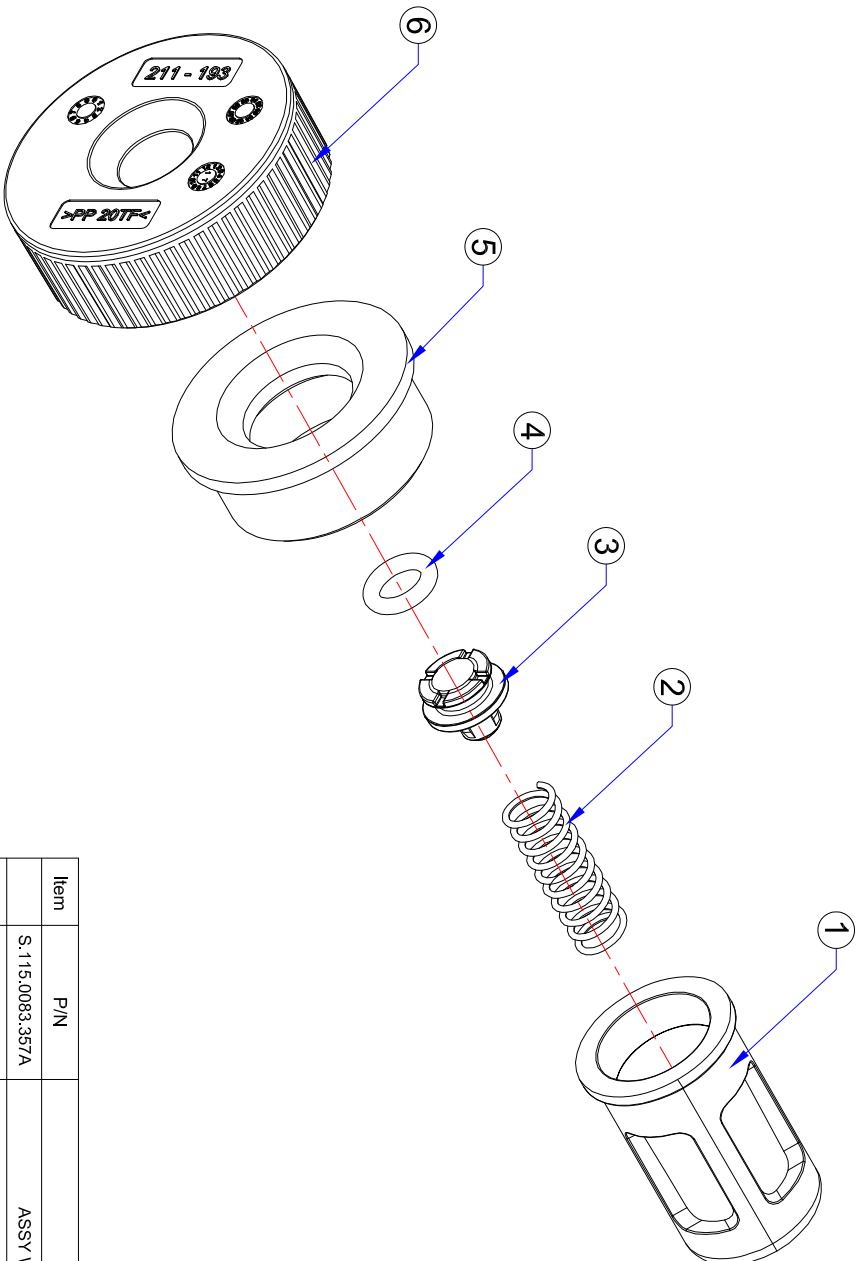
| | | | | |
|--------------|---------|---------------------|-------------|-------|
| SHEET 1 OF 1 | | DATE | 11/Jan/2022 | |
| APPROVED | CHECKED | DISIGNED | UNIT | SCALE |
| | | CONNIE | MM | 1:1 |
| DRAWING NO | | PART NO | | SIZE |
| | | IMOPLT.FCT.1100B2/1 | | A4 |

SMT-FCT DONG GUAN
THE FRIENDLY FAMILY
 东莞硕能塑胶模具有限公司
 ASSEMBLY AND MOULDING OF CLEANING





IMOPUTE FCT WITH MOTOR
 WHO CHARGER & BAT BIG



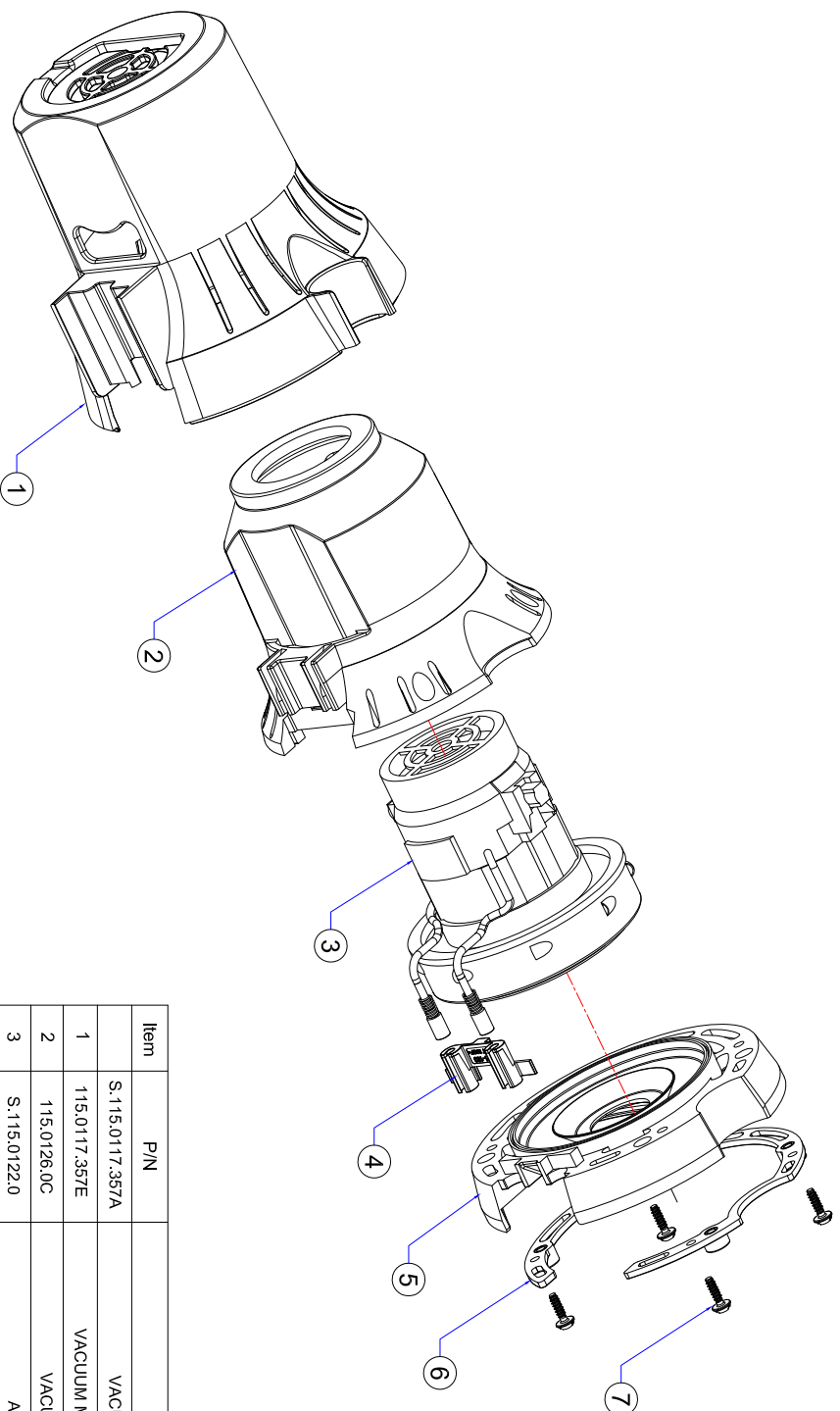
| | | | |
|----------|---------------|------------|-------------|
| REVISION | DESCRIPTION | REVISED BY | DATE |
| A | FIRST RELEASE | CONNIE | 11/Jan/2022 |



| Item | P/N | Description | Qty. |
|------|-----------------|-----------------------------------------|------|
| 1 | S.115.0083.357A | ASSY WATER CONNECTOR FEMALE FILTER | |
| | 115.0083.357D | WATER CONNECTOR FEMALE FILTER GREY P431 | 1 |
| 2 | 115.0085.0 | COMPRESSION SPRING 7X9X28.5 | 1 |
| 3 | 115.0087.0B | WATER CONNECTOR FEMALE VALVE | 1 |
| 4 | 115.0210.0 | O-RING 7X2.5 | 1 |
| 5 | 115.0088.0B | WATER CONNECTOR FEMALE RUBBER | 1 |
| 6 | 115.0086.2D | WATER CONNECTOR FEMALE CAP WHITE | 1 |

| | | | |
|-----------------------------------------------------------------------------------------------------------------------------------------------------------------------------------------------------------------|--------|-----------|----------------------------------------------|
| TOLERANCE UNSPECIFIED | | REMARK: | |
| LINE | ANGLE | REV | UNIT |
| XXX | ±0.005 | X | ±2° |
| XX | ±0.05 | X | ±1.5° |
| X | ±0.1 | .XX | ±1° |
| . | ±0.2 | .XXX | ±0.5° |
| XX | ±0.5 | ±1 | |
| SHEET 1 OF 1 | | DATE | 11/Jan/2022 |
| SCALE | | 1:1 | DRAWING NO |
| <p style="text-align: center;">  东莞硕能塑胶模具有限公司 ASSEMBLY AND MOULDING OF CLEANING </p> | | REV | A |
| <p style="text-align: center;">  IMOPUTE FCT WITH MOTOR W/O CHARGER & BAT BIG </p> | | PART NAME | IMOPUTE FCT WITH MOTOR W/O CHARGER & BAT BIG |
| <p style="text-align: center;">  IMOPT.FCT.1100B2/1 </p> | | PART NO | IMOPT.FCT.1100B2/1 |
| <p style="text-align: center;">  SIZE </p> | | SIZE | A4 |

| REVISION | DESCRIPTION | REVISED BY | DATE |
|----------|---------------|------------|-------------|
| A | FIRST RELEASE | CONNIE | 11/Jan/2022 |



| Item | P/N | Description | Qty. |
|------|-----------------|---------------------------------------|------|
| 1 | S.115.0117.357A | VACUUM MOTOR HOISING BOTTOM | 1 |
| 2 | 115.0117.357E | VACUUM MOTOR HOISING BOTTOM GREY P431 | 1 |
| 3 | 115.0126.0C | VACUUM MOTOR BOTTOM RUBBER | 1 |
| 4 | S.115.0122.0 | ASSY VACUUM MOTOR J24V200W | 1 |
| 5 | 115.0124.0B | VACUUM MOTOR ELECTRO CONTACT BLOCK | 1 |
| 6 | 115.0126.0B | VACUUM MOTOR TOP RUBBER | 1 |
| 7 | 115.0119.357B | VACUUM MOTOR BRACKET GREY P431C | 1 |
| | 115.0120.0 | EJOT PT SCREW WN 5451 40X14 | 4 |

TOLERANCE UNSPECIFIED REMARK:

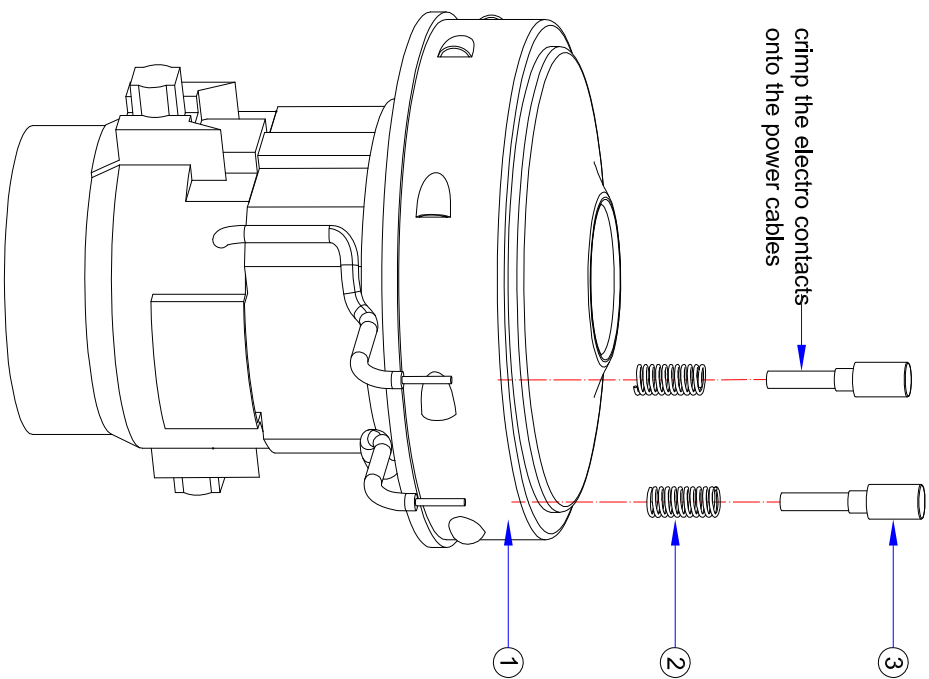
| LINE | ANGLE | REMARK: |
|------|--------|------------|
| XXX | ±0.005 | X ±2° |
| XX | ±0.05 | X ±1.5° |
| X | ±0.1 | X ±1° |
| . | ±0.2 | .XX ±1° |
| XX | ±0.5 | .XXX ±0.5° |
| | ±1 | |

| SHEET 1 OF 1 | DATE |
|--------------|------|
| | |

SMIT-FOT DONG GUAN
THE FRIENDLY FAMILY
东莞硕能塑胶模具有限公司
ASSEMBLY AND MOULDING OF CLEANING

| APPROVED | CHECKED | DISIGNED | REV | PART NAME | SIZE |
|----------|---------|----------|-------|----------------------------------------------|------|
| CONNIE | | | A | IMOPUTE FCT WITH MOTOR W/O CHARGER & BAT BIG | A4 |
| | | | MM | IMOPT.FCT.1100B2/1 | |
| | | | SCALE | DRAWING NO | |
| | | | 1:1 | | |

| REVISION | DESCRIPTION | REVISED BY | DATE |
|----------|---------------|------------|-------------|
| A | FIRST RELEASE | CONNIE | 11/Jan/2022 |



| Item | P/N | Description | Qty. |
|------|--------------|------------------------------------|------|
| 1 | S.115.0122.0 | ASSY VACUUM MOTOR J24V200W | |
| 1 | 115.0122.0B | VACUUM MOTOR J24V200W | 1 |
| 2 | 115.0121.0 | COMPRESSION SPRING 4.8X6.2X14 | 2 |
| 3 | 115.0123.0B | VACUUM MOTOR ELECTRO CONTACT SMALL | 2 |

TOLERANCE UNSPECIFIED

| LINE | ANGLE | REMARK: |
|------|--------|-----------|
| XXX | ±0.005 | X ±2° |
| XX | ±0.05 | X ±1.5° |
| X | ±0.1 | X ±1° |
| . | ±0.2 | XX ±1° |
| XX | ±0.5 | XXX ±0.5° |
| | ±1 | |

REMARK:

ASSEMBLY AND MOLDING OF CLEANING

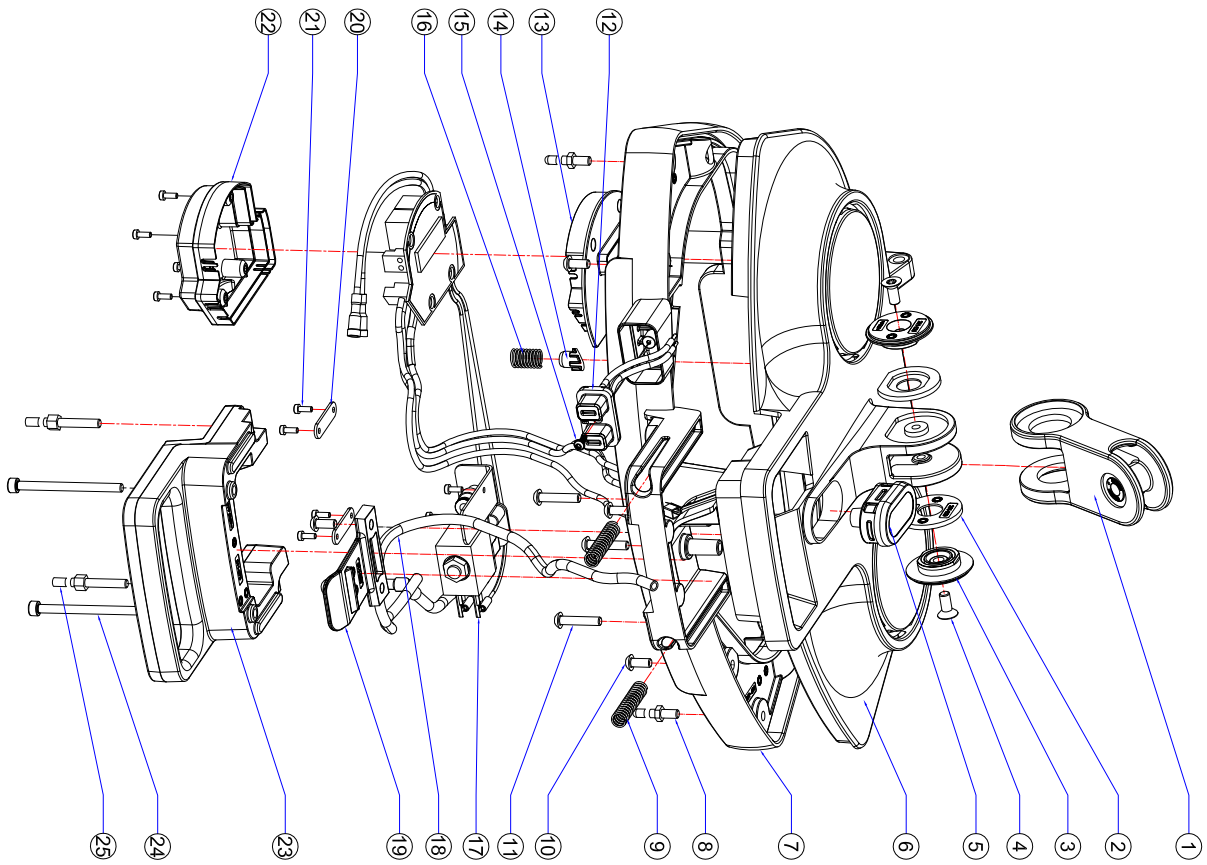
SMT-FCT DONG GUAN
THE FRIENDLY FAMILY

东莞硕能塑胶模具有限公司

IMOPUTE FCT WITH MOTOR W/O CHARGER & BAT BIG

| APPROVED | CHECKED | DISIGNED | REV | UNIT | PART NAME | SCALE | DRAWING NO | SIZE |
|--------------|---------|----------|------|-------------|----------------------------------------------|-------|------------|------|
| | | CONNIE | A | MM | IMOPUTE FCT WITH MOTOR W/O CHARGER & BAT BIG | 1:1 | | A4 |
| SHEET 1 OF 1 | | | DATE | 11/Jan/2022 | | | | |

| | | | |
|----------|---------------|------------|-------------|
| REVISION | DESCRIPTION | REVISED BY | DATE |
| A | FIRST RELEASE | CONNIE | 11/Jan/2022 |

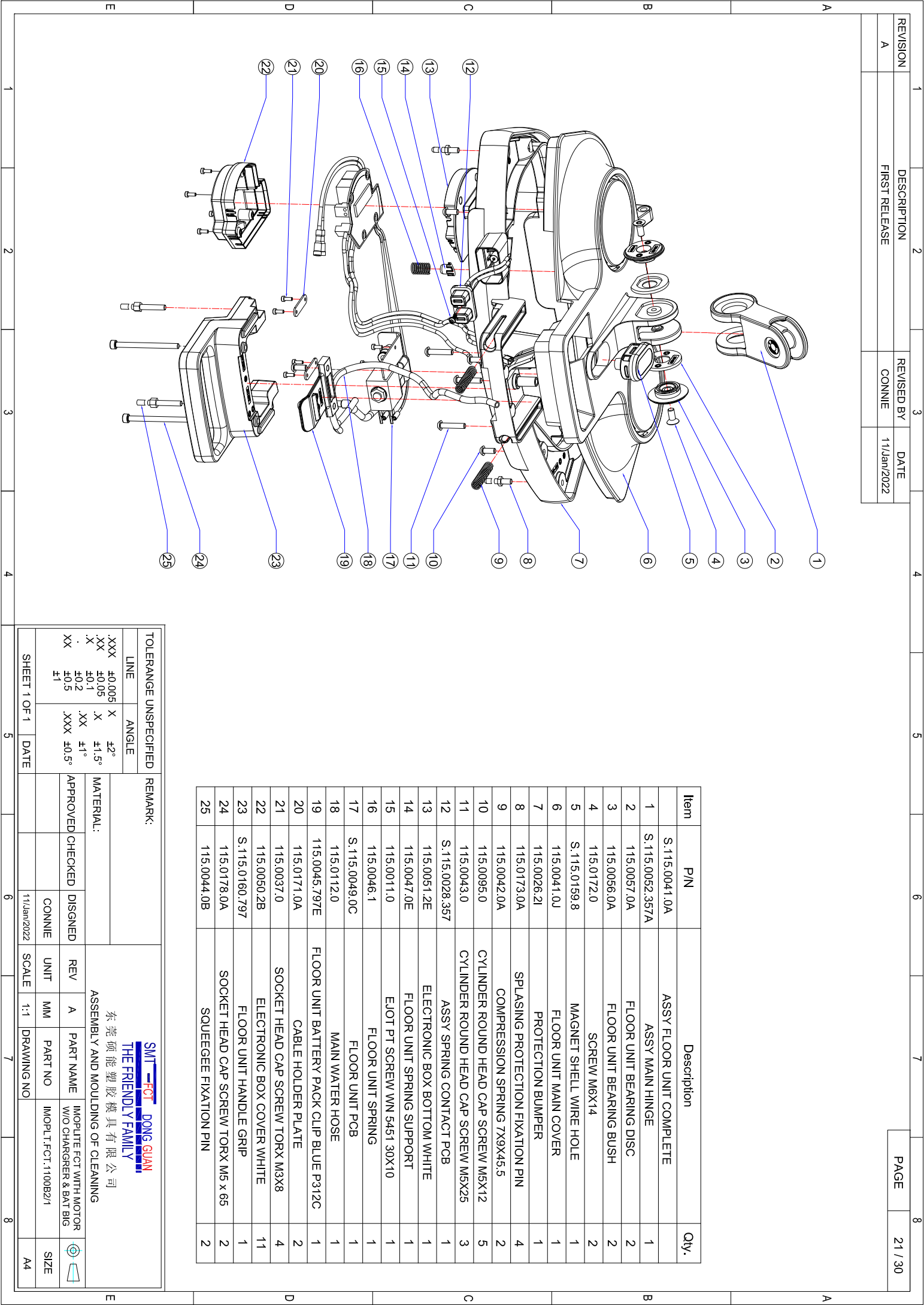


| Item | P/N | Description | Qty. |
|------|-----------------|-----------------------------------------|------|
| 1 | S.115.0041.0A | ASSY FLOOR UNIT COMPLETE | 1 |
| 2 | S.115.0052.357A | ASSY MAIN HINGE | 1 |
| 3 | 115.0057.0A | FLOOR UNIT BEARING DISC | 2 |
| 4 | 115.0056.0A | FLOOR UNIT BEARING BUSH | 2 |
| 5 | 115.0172.0 | SCREW M6X14 | 2 |
| 6 | S.115.0159.8 | MAGNET SHELL WIRE HOLE | 1 |
| 7 | 115.0041.0J | FLOOR UNIT MAIN COVER | 1 |
| 8 | 115.0026.2I | PROTECTION BUMPER | 1 |
| 9 | 115.0173.0A | SPLASING PROTECTION FIXATION PIN | 4 |
| 10 | 115.0042.0A | COMPRESSION SPRING 7X9X45.5 | 2 |
| 11 | 115.0095.0 | CYLINDER ROUND HEAD CAP SCREW M5X12 | 5 |
| 12 | 115.0043.0 | CYLINDER ROUND HEAD CAP SCREW M5X25 | 3 |
| 13 | S.115.0028.357 | ASSY SPRING CONTACT PCB | 1 |
| 14 | 115.0051.2E | ELECTRONIC BOX BOTTOM WHITE | 1 |
| 15 | 115.0047.0E | FLOOR UNIT SPRING SUPPORT | 1 |
| 16 | 115.0011.0 | EJOT PT SCREW WN 5451 30X10 | 1 |
| 17 | 115.0046.1 | FLOOR UNIT SPRING | 1 |
| 18 | S.115.0049.0C | FLOOR UNIT PCB | 1 |
| 19 | 115.0112.0 | MAIN WATER HOSE | 1 |
| 20 | 115.0045.797E | FLOOR UNIT BATTERY PACK CLIP BLUE P312C | 1 |
| 21 | 115.0171.0A | CABLE HOLDER PLATE | 2 |
| 22 | 115.0037.0 | SOCKET HEAD CAP SCREW TORX M3X8 | 4 |
| 23 | 115.0050.2B | ELECTRONIC BOX COVER WHITE | 11 |
| 24 | S.115.0160.797 | FLOOR UNIT HANDLE GRIP | 1 |
| 25 | 115.0178.0A | SOCKET HEAD CAP SCREW TORX M5 x 65 | 2 |
| 25 | 115.0044.0B | SQUEEGEE FIXATION PIN | 2 |

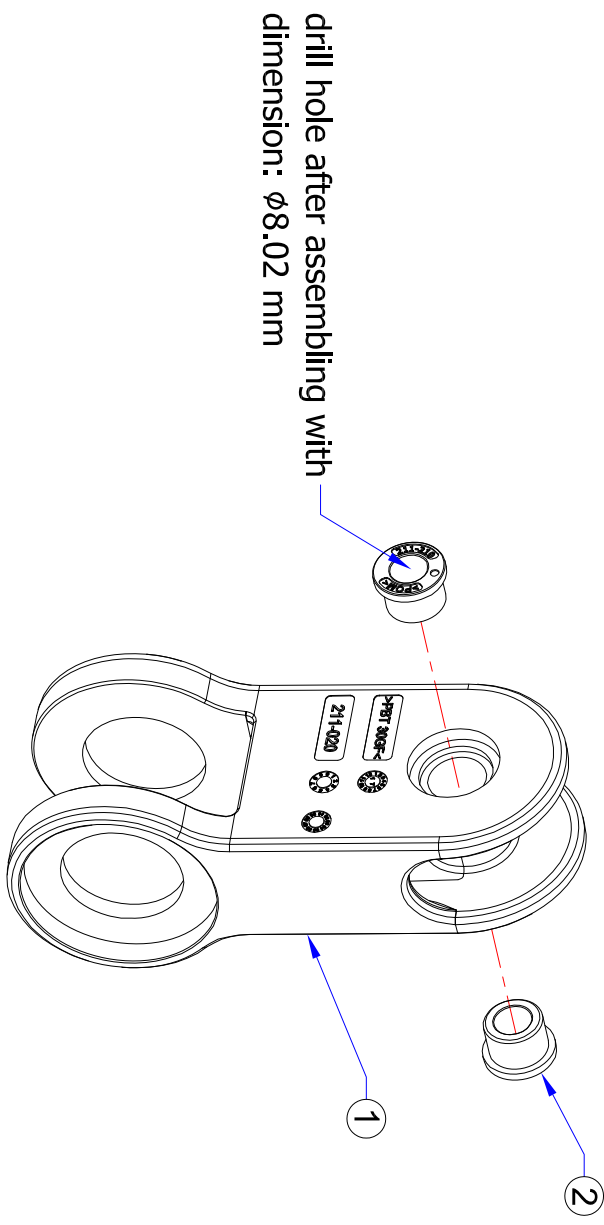
| | | | |
|-----------------------|--------|---------|-------|
| TOLERANCE UNSPECIFIED | | REMARK: | |
| LINE | ANGLE | ANGLE | |
| XXX | ±0.005 | X | ±2° |
| XX | ±0.05 | X | ±1.5° |
| X | ±0.1 | XX | ±1° |
| . | ±0.2 | XXX | ±0.5° |
| XX | ±0.5 | ±1 | |

| | | | | | | | | | | | | | | |
|--------------|-------------|----------|---------|----------|------|----|----------------------------------------------|----|--------------------|-------|-----|------------|------|----|
| SHEET 1 OF 1 | DATE | APPROVED | CHECKED | DISIGNED | REV | A | PART NAME | MM | PART NO | SCALE | 1:1 | DRAWING NO | SIZE | A4 |
| | 11/Jan/2022 | CONNIE | | | UNIT | MM | IMOPUTE FCT WITH MOTOR W/O CHARGER & BAT BIG | | IMOPT.FCT.1100B2/1 | | | | | |

| | | | |
|-------------------|--|----------------------------------|--|
| MATERIAL: | | ASSEMBLY AND MOLDING OF CLEANING | |
| SMT-FCT DONG GUAN | | THE FRIENDLY FAMILY | |
| 东莞硕能塑胶模具有限公司 | | | |



| REVISION | DESCRIPTION | REVISED BY | DATE |
|----------|---------------|------------|-------------|
| A | FIRST RELEASE | CONNIE | 11/Jan/2022 |



| Item | P/N | Description | Qty. |
|------|-----------------|-------------------------|------|
| 1 | S.115.0052.357A | Main hinge complete | 1 |
| 2 | 115.0052.357C | Main hinge | 1 |
| 2 | 115.0053.0A | Main hinge bearing bush | 2 |

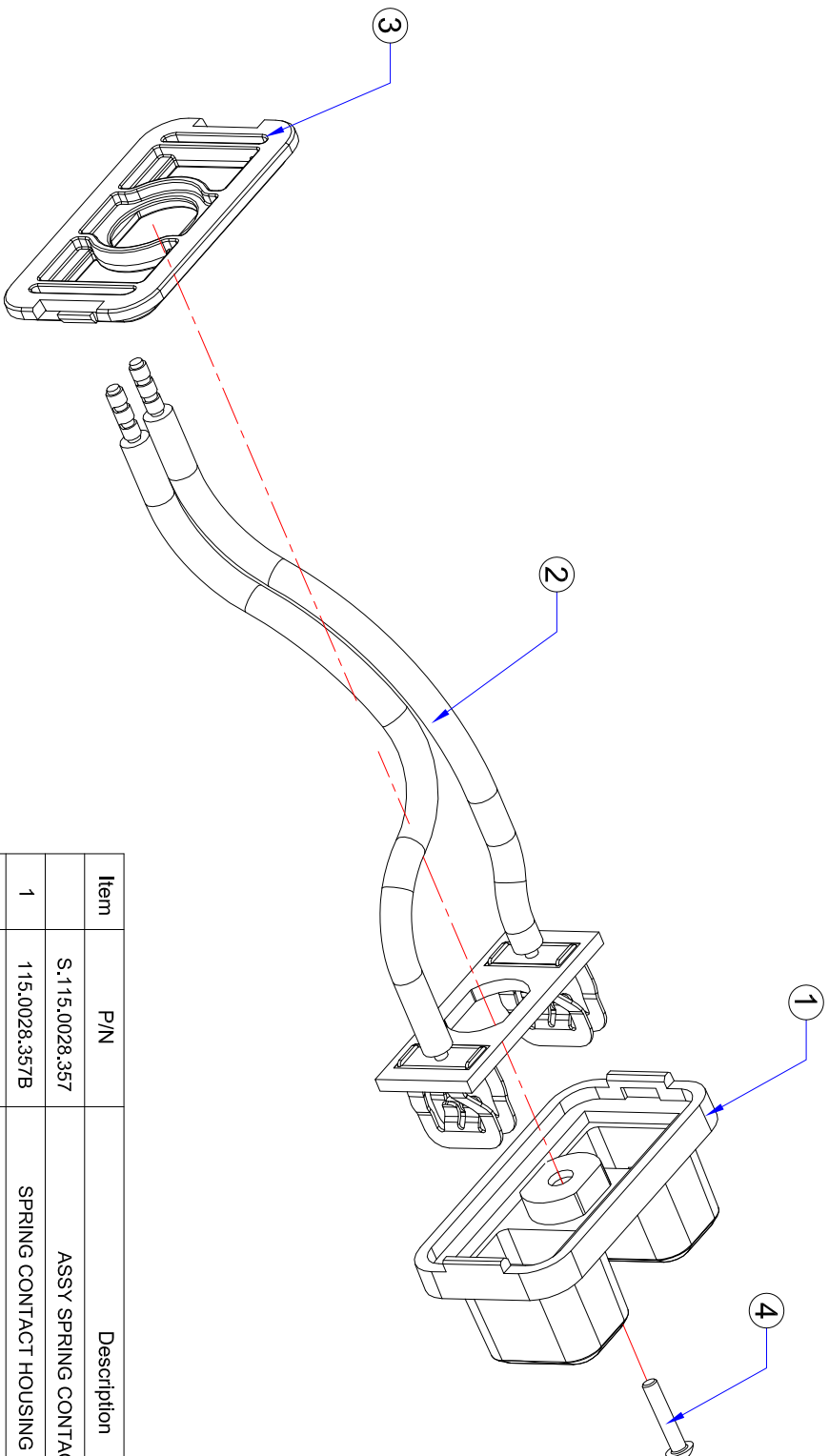
| LINE | ANGLE | REMARK: |
|------|-------------|-----------------|
| XXX | ± 0.005 | $\pm 2^\circ$ |
| XX | ± 0.05 | $\pm 1.5^\circ$ |
| X | ± 0.1 | $\pm 1^\circ$ |
| . | ± 0.2 | |
| XX | ± 0.5 | |
| | ± 1 | |

| APPROVED | CHECKED | DISIGNED | REV | UNIT | PART NAME | IMOPLT.FCT | SCALE | DRAWING NO | SIZE |
|----------|---------|----------|-----|------|---------------------------------------------|------------|-------|------------|------|
| | | CONNIE | A | MM | IMOPLT FCT WITH MOTOR W/O CHARGER & BAT BIG | 1100B2/1 | 1:1 | | A4 |

| SHEET 1 OF 1 | DATE |
|--------------|-------------|
| | 11/Jan/2022 |

| | | | |
|-----------------------------------|--|------------------|--|
| TOLERANCE UNSPECIFIED | | REMARK: | |
| ASSEMBLY AND MOULDING OF CLEANING | | 东莞硕能塑胶模具有限公司 | |

| REVISION | DESCRIPTION | REVISED BY | DATE |
|----------|---------------|------------|-------------|
| A | FIRST RELEASE | CONNIE | 11/Jan/2022 |



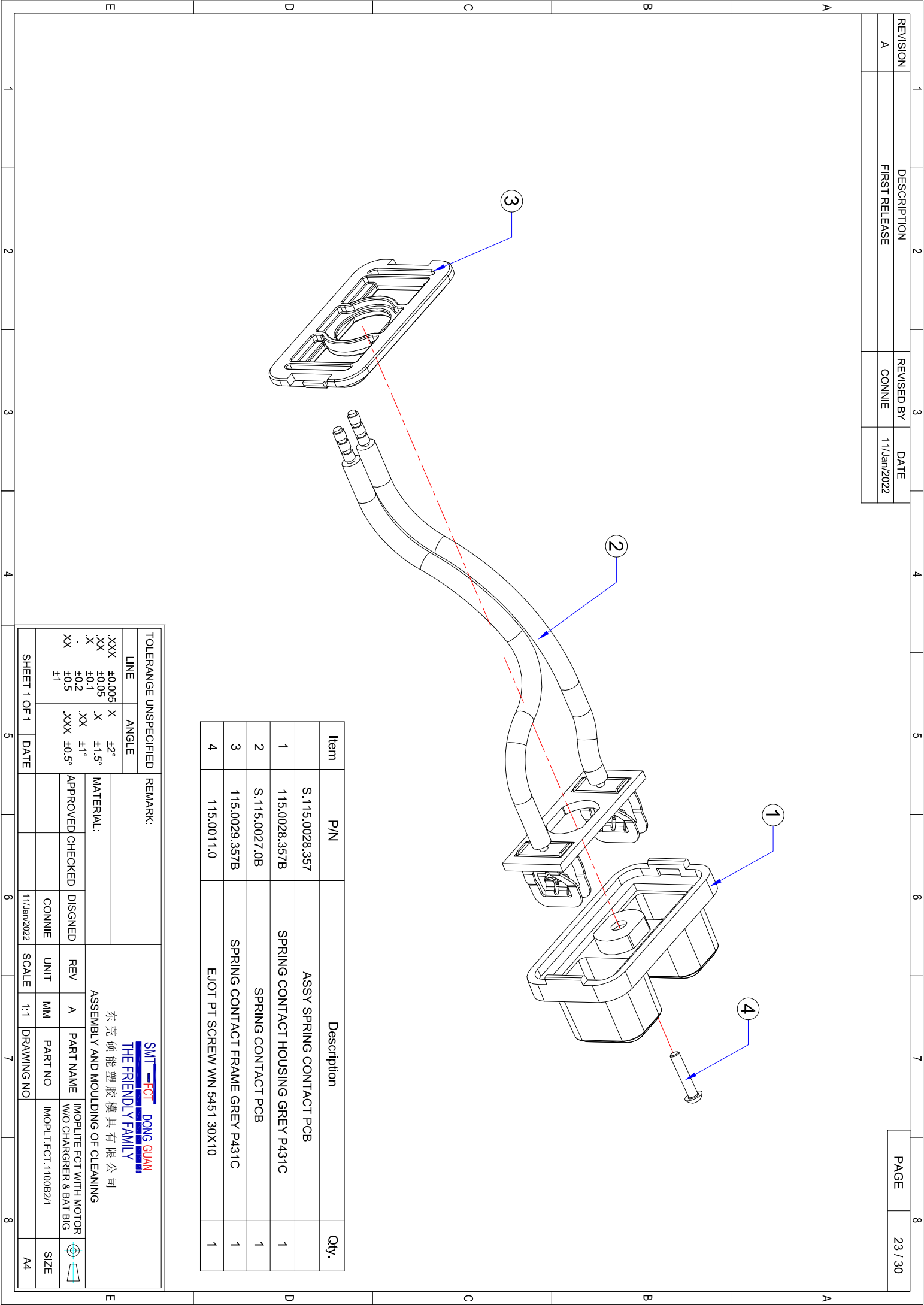
| Item | P/N | Description | Qty. |
|------|----------------|-----------------------------------|------|
| 1 | S.115.0028.357 | ASSY SPRING CONTACT PCB | 1 |
| 1 | 115.0028.357B | SPRING CONTACT HOUSING GREY P431C | 1 |
| 2 | S.115.0027.0B | SPRING CONTACT PCB | 1 |
| 3 | 115.0029.357B | SPRING CONTACT FRAME GREY P431C | 1 |
| 4 | 115.0011.0 | EJOT PT SCREW WN 5451 30X10 | 1 |

| LINE | TOLERANCE UNSPECIFIED | ANGLE | REMARK: |
|------|-----------------------|-------|---------|
| XXX | ±0.005 | ±2° | |
| XX | ±0.05 | ±1.5° | |
| X | ±0.1 | ±1° | |
| . | ±0.2 | | |
| XX | ±0.5 | ±0.5° | |
| | ±1 | | |

| | | | | | | | | |
|--------------|------|-------------|-------|-----|------------|---------------------|------|----|
| SHEET 1 OF 1 | DATE | 11/Jan/2022 | SCALE | 1:1 | DRAWING NO | IMOPLT.FCT.1100B2/1 | SIZE | A4 |
|--------------|------|-------------|-------|-----|------------|---------------------|------|----|

| | | | | | |
|----------|---------|----------|-----|--------------|---------------------------------------------|
| APPROVED | CHECKED | DISIGNED | REV | PART NAME | IMOPLT.FCT WITH MOTOR W/O CHARGER & BAT BIG |
| CONNIE | CONNIE | CONNIE | A | 东莞硕能塑胶模具有限公司 | |

SMT-FOT DONG GUAN
THE FRIENDLY FAMILY
 东莞硕能塑胶模具有限公司
 ASSEMBLY AND MOULDING OF CLEANING



| REVISION | DESCRIPTION | REVISED BY | DATE |
|----------|---------------|------------|-------------|
| A | FIRST RELEASE | CONNIE | 11/Jan/2022 |



Soldering the power cables and the spring contacts onto the pcb

Crimp the terminal end lugs onto the power cables

| Item | P/N | Description | Qty. |
|------|---------------|-------------------------|------|
| 1 | S.115.0027.0B | ASSY SPRING CONTACT PCB | |
| 1 | 115.0027.0A | SPRING CONTACT PCB | 1 |

1

TOLERANCE UNSPECIFIED REMARK:

| LINE | ANGLE | ANGLE |
|------|--------|------------|
| XXX | ±0.005 | X ±2° |
| XX | ±0.05 | X ±1.5° |
| X | ±0.1 | .X ±1° |
| .X | ±0.2 | .XX ±0.5° |
| XX | ±0.5 | .XXX ±0.5° |
| | ±1 | |

ASSEMBLY AND MOULDING OF CLEANING

SMT-FCT DONG GUAN
THE FRIENDLY FAMILY

东莞硕能塑胶模具有限公司

IMOPUTE FCT WITH MOTOR W/O CHARGER & BATT BIG

IMOPLT.FCT.1100B2/1

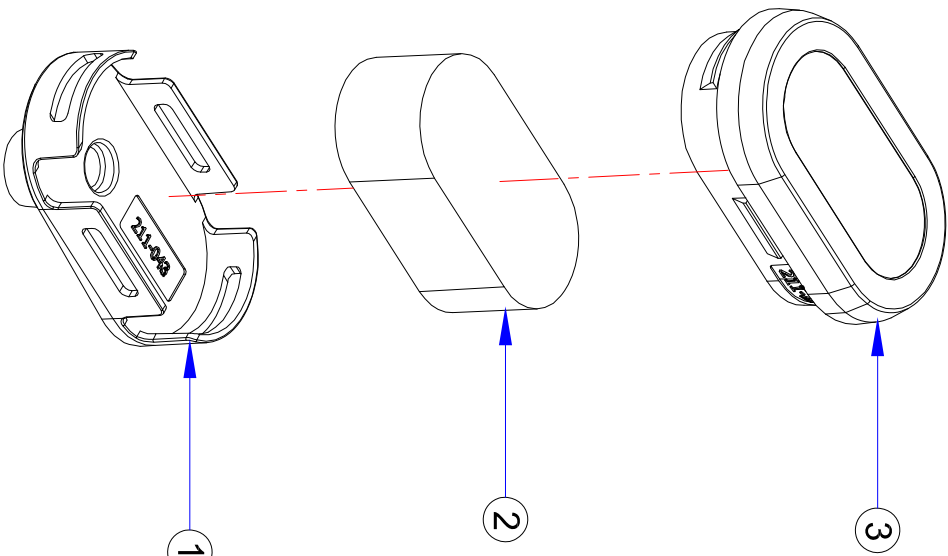
SHEET 1 OF 1 DATE

11/Jan/2022

SCALE 1:1 DRAWING NO

SIZE A4

| REVISION | DESCRIPTION | REVISED BY | DATE |
|----------|---------------|------------|-------------|
| A | FIRST RELEASE | CONNIE | 11/Jan/2022 |



| Item | P/N | Description | Qty. |
|------|--------------|------------------------------------|------|
| 1 | S.115.0159.8 | MAGNET SHELL WIRE HOLE | |
| 1 | 115.0159.8D | FLOOR UNIT MAGNET SUPPORT COMPLETE | 1 |
| 2 | 115.0157.0C | ELLIPTICAL MAGNET | 1 |
| 3 | 115.0158.8E | FLOOR UNIT MAGNET COVER YELLOW | 1 |

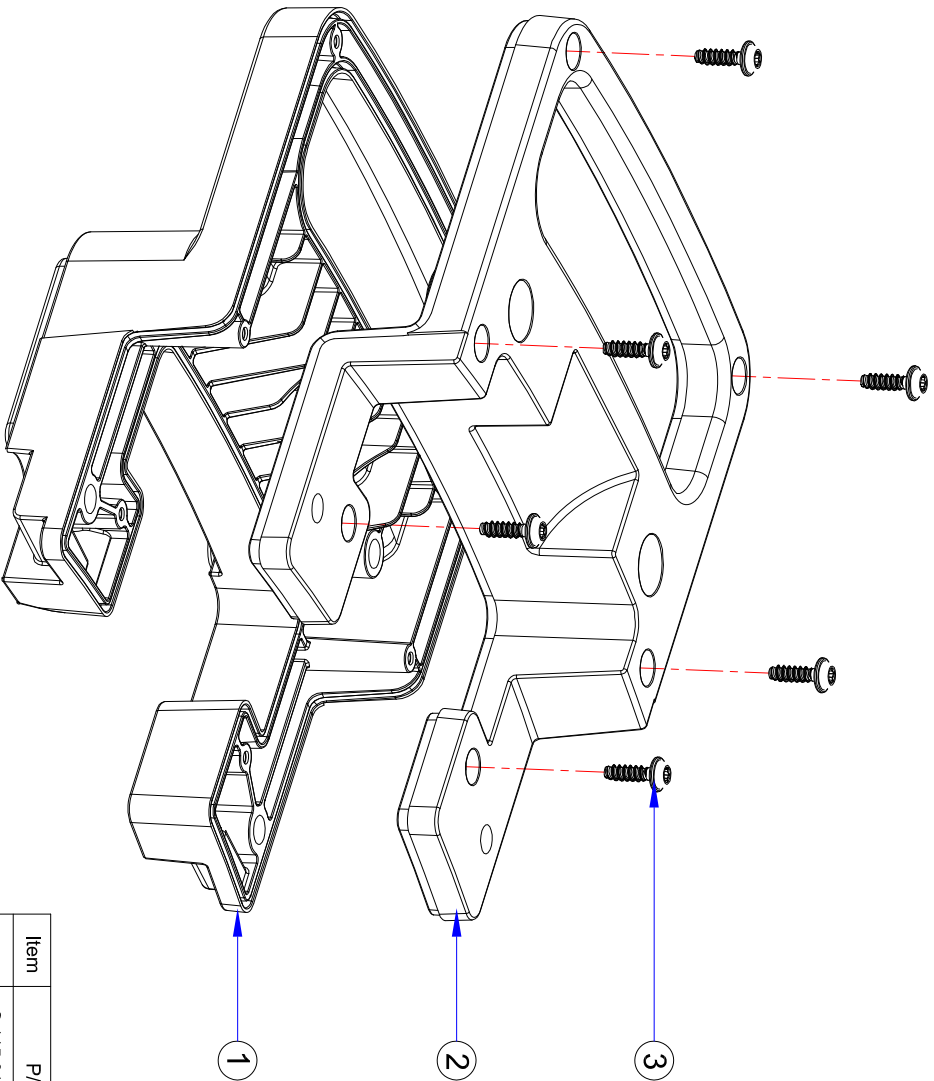
| TOLERANCE UNSPECIFIED | | REMARK: | |
|-----------------------|--------|---------|-------|
| LINE | ANGLE | ANGLE | |
| XXX | ±0.005 | X | ±2° |
| XX | ±0.05 | X | ±1.5° |
| X | ±0.1 | .XX | ±1° |
| .XX | ±0.2 | XXX | ±0.5° |
| XX | ±0.5 | ±1 | |

| | | | | | | | | |
|--------------|------|-------------|-------|-----|------------|--|------|----|
| SHEET 1 OF 1 | DATE | 11/Jan/2022 | SCALE | 1:1 | DRAWING NO | | SIZE | A4 |
|--------------|------|-------------|-------|-----|------------|--|------|----|

| | | | | | | | |
|-----------|--|----------|---------|----------|-----|-----------|----------------------------------------------|
| MATERIAL: | | APPROVED | CHECKED | DISIGNED | REV | PART NAME | IMOPUTE FCT WITH MOTOR W/O CHARGER & BAT BIG |
| | | | | CONNIE | A | | |

SMT-FCT DONG GUAN
 THE FRIENDLY FAMILY
 东莞硕能塑胶模具有限公司
 ASSEMBLY AND MOLDING OF CLEANING

| REVISION | DESCRIPTION | REVISED BY | DATE |
|----------|---------------|------------|-------------|
| A | FIRST RELEASE | CONNIE | 11/Jan/2022 |



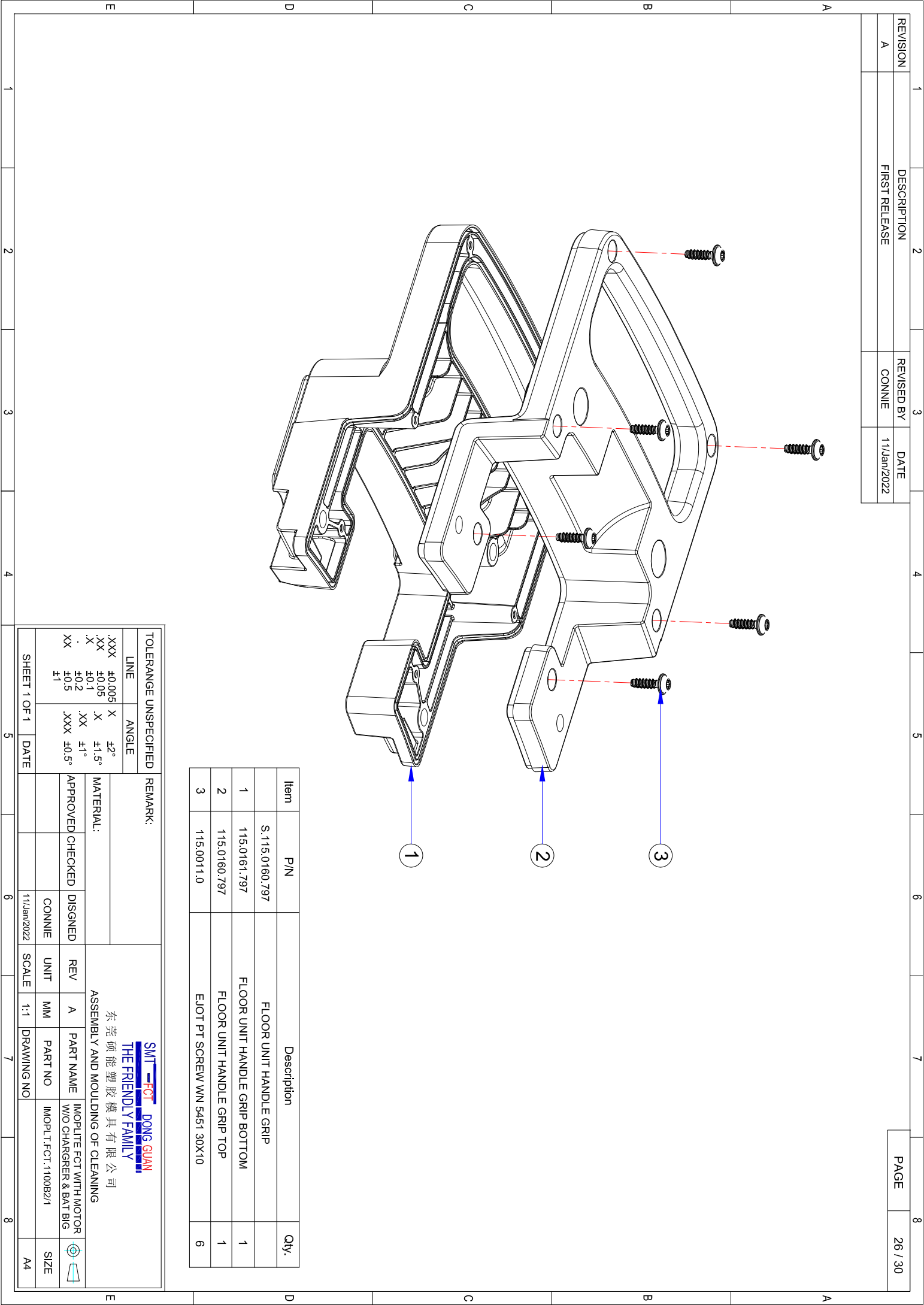
| Item | P/N | Description | Qty. |
|------|----------------|-------------------------------|------|
| 1 | S.115.0160.797 | FLOOR UNIT HANDLE GRIP | 1 |
| 2 | 115.0161.797 | FLOOR UNIT HANDLE GRIP BOTTOM | 1 |
| 3 | 115.0160.797 | FLOOR UNIT HANDLE GRIP TOP | 1 |
| | 115.0011.0 | EJOT PT SCREW WN 5451 30X10 | 6 |

| TOLERANCE UNSPECIFIED | | REMARK: | |
|-----------------------|--------|---------|-------|
| LINE | ANGLE | LINE | ANGLE |
| XXX | ±0.005 | X | ±2° |
| XX | ±0.05 | X | ±1.5° |
| X | ±0.1 | XX | ±1° |
| . | ±0.2 | XX | ±0.5° |
| XX | ±0.5 | XXX | ±0.5° |
| | ±1 | | |

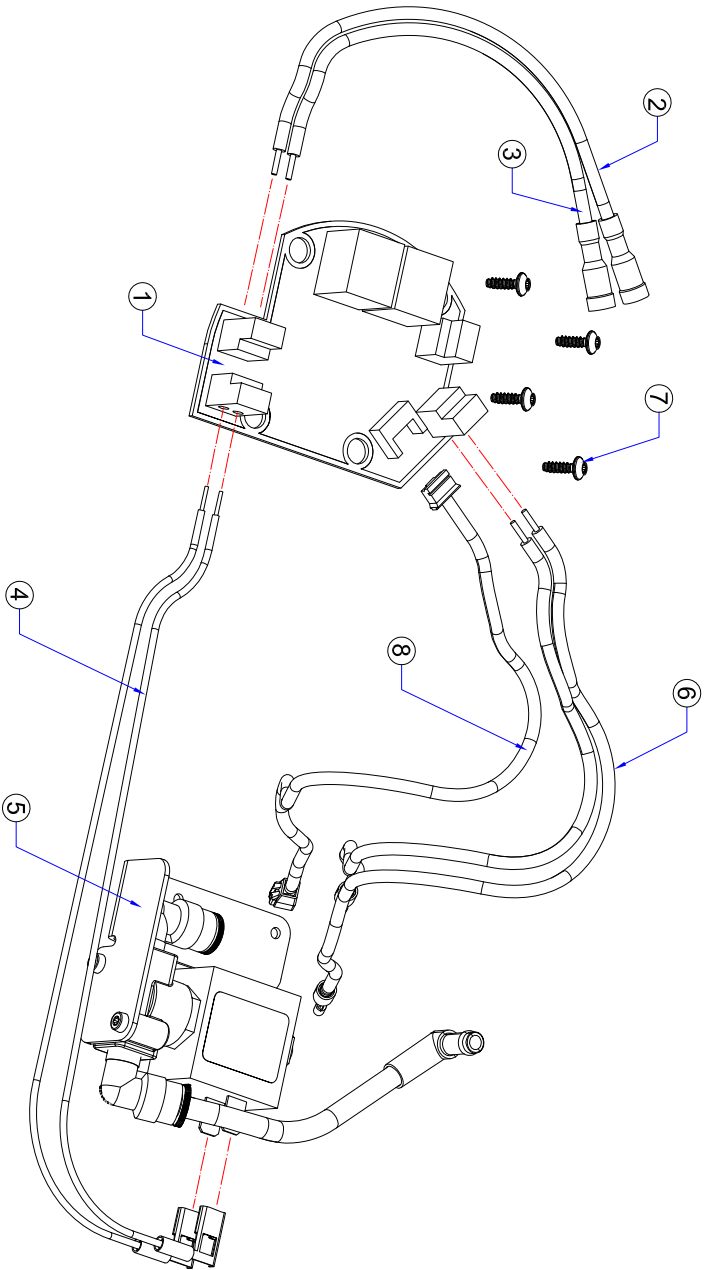
| | | | |
|--------------|---------|------------|----------------------------------------------|
| SHEET 1 OF 1 | | DATE | 11/Jan/2022 |
| APPROVED | CHECKED | DISIGNED | CONNIE |
| REV | A | PART NAME | IMOPUTE FCT WITH MOTOR W/O CHARGER & BAT BIG |
| UNIT | MM | PART NO | IMOPT.FCT.1100B2/1 |
| SCALE | 1:1 | DRAWING NO | |

东莞硕能塑胶模具有限公司

 ASSEMBLY AND MOULDING OF CLEANING



| REVISION | DESCRIPTION | REVISED BY | DATE |
|----------|-------------------------------|------------|-------------|
| - | FIRST RELEASE | CONNIE | 18/Jun/2020 |
| A | ADDED THE PART NO. 115.0148.0 | CONNIE | 11/Jan/2022 |



| Item | P/N | Description | Qty. |
|------|---------------|-----------------------------------------|------|
| 1 | S.115.0049.0C | FLOOR UNIT PCB | |
| 1 | 115.0049.0A | FLOOR UNIT PCB WITH SOFT START COMPLETE | 1 |
| 2 | 115.0146.0 | CONNECTING DRIVE MOTOR LINE RED | 1 |
| 3 | 115.0145.0 | CONNECTING DRIVE MOTOR LINE BLACK | 1 |
| 4 | 115.0149.0A | SOLENOID CABLE BLACK COMPLETE | 1 |
| 5 | S.115.0038.0 | ASSY SOLENOID PARKER NZ4.4 FV | 1 |
| 6 | S.115.0147.0 | ASSY LMOP LITE FLOOR UNIT CABLE | 1 |
| 7 | 115.0037.0 | SOCKET HEAD CAP SCREW TORX M3X8 | 4 |
| 8 | 115.0148.0 | FLOOR UNIT CONTROL CABLE BLACK | 1 |

TOLERANCE UNSPECIFIED

| LINE | ANGLE | REMARK: |
|------|--------|------------|
| XXX | ±0.005 | X ±2° |
| XX | ±0.05 | X ±1.5° |
| X | ±0.1 | X ±1° |
| . | ±0.2 | .XX ±1° |
| XX | ±0.5 | .XXX ±0.5° |
| | ±1 | |

REMARK:
MATERIAL:
APPROVED CHECKED
DESIGNED
CONNIE
SCALE 1:1
DRAWING NO

ASSEMBLY AND MOULDING OF CLEANING

SMT-FCT DONG GUAN
THE FRIENDLY FAMILY

东莞硕能塑胶模具有限公司

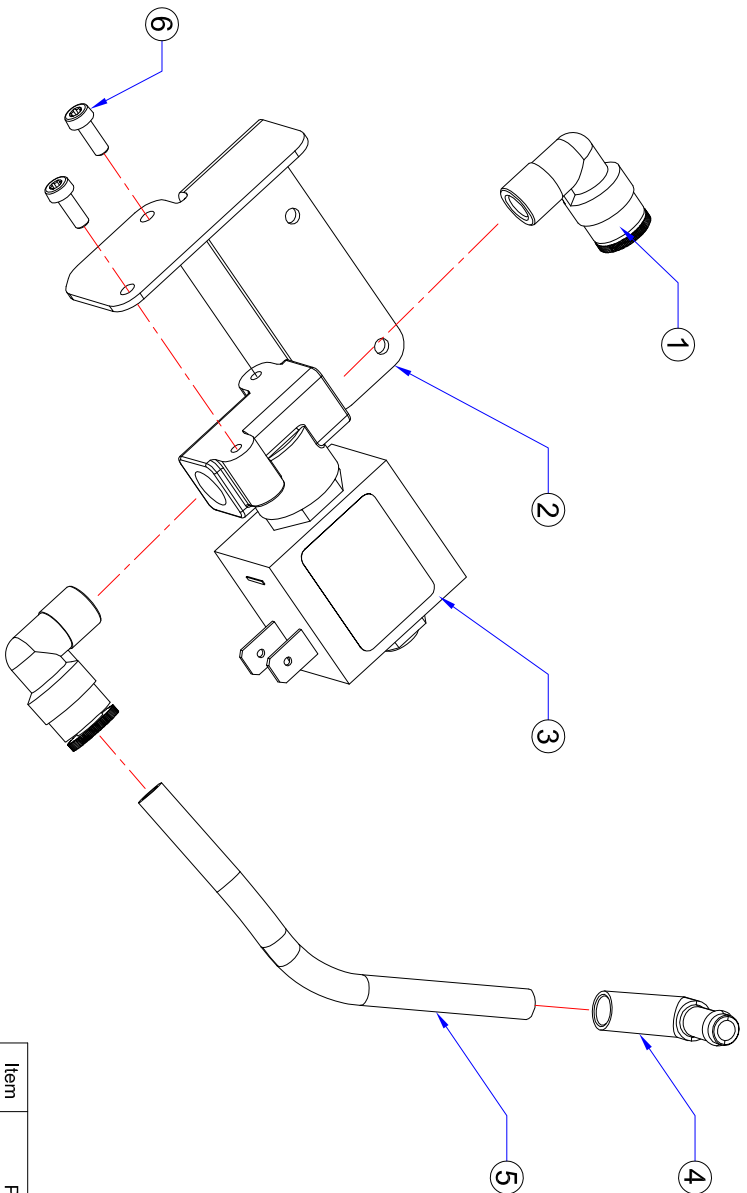
IMOP LITE FCT WITH MOTOR W/O CHARGER & BAT BIG

REV A PART NAME IMOP LITE FCT WITH MOTOR W/O CHARGER & BAT BIG

UNIT MM SCALE 1:1 DRAWING NO

SIZE A4

| | | | |
|----------|---------------|------------|-------------|
| REVISION | DESCRIPTION | REVISED BY | DATE |
| A | FIRST RELEASE | CONNIE | 11/Jan/2022 |



| Item | P/N | Description | Qty. |
|------|---------------|----------------------------------------|------|
| 1 | S.115.0038.0 | ASSY SOLENOID PARKER N7.4.4 FV | |
| 1 | 115.0035.0 | ANGLE METAL CONNECTOR | 2 |
| 2 | 115.0038.0A | SOLENOID FIXATION PLATE | 1 |
| 3 | 72.0026.6 | MAGNETIC VALVE PARKER | 1 |
| 4 | 115.0024.357C | DRIVE MODULE WATER COUPLING GREY P431C | 1 |
| 5 | 115.0022.0 | DRIVE MODULE HOSE EXTERNAL | 1 |
| 6 | 115.0037.0 | SOCKET HEAD CAP SCREW TORX M3X8 | 4 |

TOLERANCE UNSPECIFIED

| LINE | ANGLE | ANGLE |
|------|--------|------------|
| XXX | ±0.005 | X ±2° |
| XX | ±0.05 | X ±1.5° |
| X | ±0.1 | .X ±1° |
| . | ±0.2 | .XX ±1° |
| XX | ±0.5 | .XXX ±0.5° |
| | ±1 | |

REMARK:

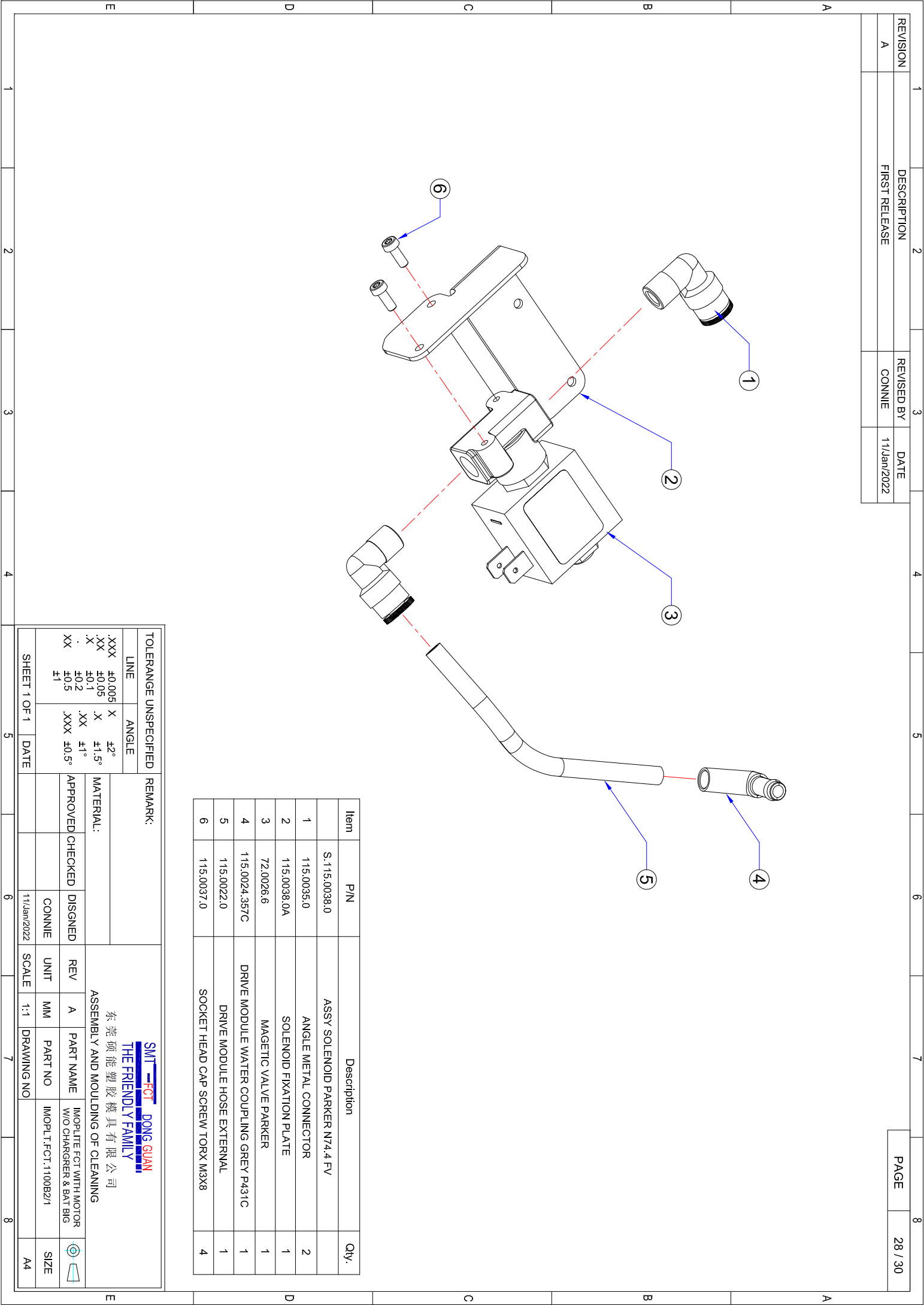
MATERIAL:
 APPROVED CHECKED DISIGNED
 CONNIE

| | | | | | | | | |
|--------------|------|-------------|-------|-----|------------|--------------------|------|----|
| SHEET 1 OF 1 | DATE | 11/Jan/2022 | SCALE | 1:1 | DRAWING NO | IMOPT.FCT.1100B2/1 | SIZE | A4 |
|--------------|------|-------------|-------|-----|------------|--------------------|------|----|

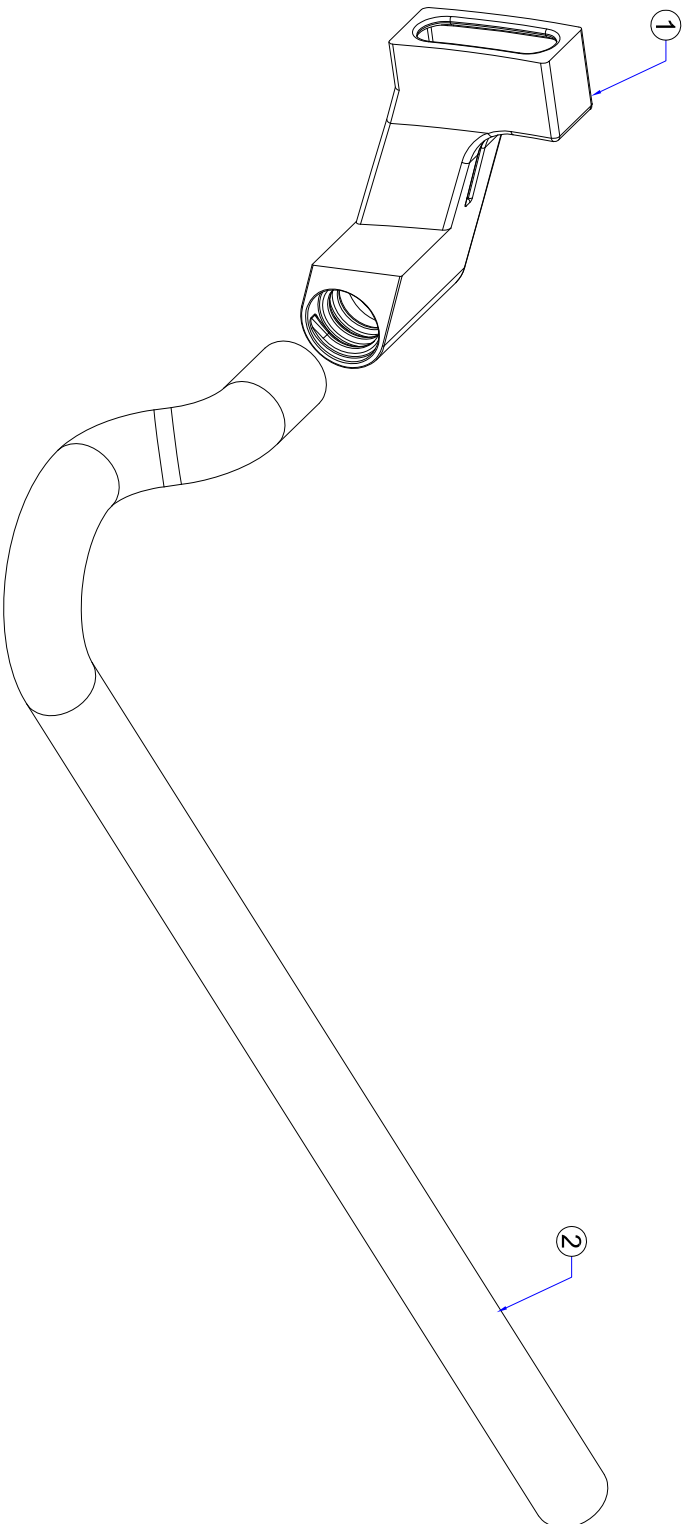
SMT-FOT DONG GUAN
THE FRIENDLY FAMILY

东莞硕能塑胶模具有限公司
 ASSEMBLY AND MOULDING OF CLEANING

REV A
 PART NAME IMOPUTE FOT WITH MOTOR W/O CHARGER & BAT BIG
 UNIT MM
 DRAWING NO



| REVISION | DESCRIPTION | REVISED BY | DATE |
|----------|---------------|------------|-------------|
| A | FIRST RELEASE | CONNIE | 11/Jan/2022 |



| Item | P/N | Description | Qty. |
|------|--------------|---------------------------------------|------|
| 1 | S.115.0059.0 | ASSY MAIN SUCTION HOSE | |
| 1 | 115.0201.0C | FLOOR UNIT SQUEEGEE HOSE CONNECTOR CW | 1 |
| 2 | 115.0059.0 | MAIN SUCTION HOSE | 1 |

| LINE | ANGLE | REMARK: |
|------|-------|---------|
| XXX | X | ±2° |
| XX | X | ±1.5° |
| X | XX | ±1° |
| XX | XXX | ±0.5° |
| XX | ±1 | |

TOLERANCE UNSPECIFIED

| SHEET 1 OF 1 | DATE |
|--------------|-------------|
| | 11/Jan/2022 |

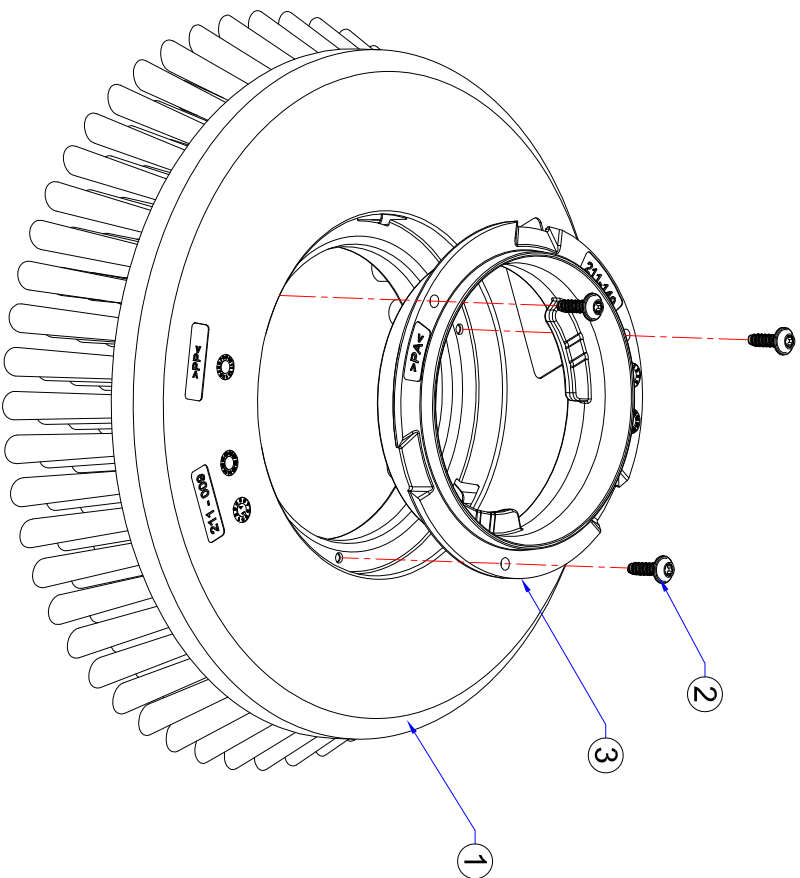
| APPROVED | CHECKED | DISIGNED | REV | UNIT | PART NAME | SCALE | DRAWING NO |
|----------|---------|----------|-----|------|-----------|-------|------------|
| | | CONNIE | A | MM | | 1:1 | |

ASSEMBLY AND MOULDING OF CLEANING

SMT-FCT DONG GUAN
THE FRIENDLY FAMILY
 东莞硕能塑胶模具有限公司
 IMOPLTE FCT WITH MOTOR
 W/O CHARGRRR & BAT BIG
 IMOPL T.FCT.1100B2/1

SIZE A4

| REVISION | DESCRIPTION | REVISED BY | DATE |
|----------|---------------|------------|-------------|
| A | FIRST RELEASE | CONNIE | 11/Jan/2022 |



| Item | P/N | Description | Qty. |
|------|---------------------|-------------------------------|------|
| 1 | S.115.1054.797/797B | Main hinge complete | |
| 1 | 115.1055.797A | ASSY BRUSH BLUE 0.3PP BRISTLE | 1 |
| 2 | 115.0011.0 | EJOT PT SCREW WN 5451 30X10 | 3 |
| 3 | 115.1058.797F | BRUSH LOCK BLUE P312C | 1 |

| LINE | ANGLE | REMARK: | REV | UNIT | PART NAME | SIZE |
|------|--------|---------|-----|------|------------------------|------|
| XXX | ±0.005 | ±2° | A | MM | IMOPUTE FCT WITH MOTOR | ④ |
| XX | ±0.05 | ±1.5° | | | W/O CHARGER & BAT BIG | ⑤ |
| X | ±0.1 | ±1° | | | | |
| . | ±0.2 | | | | | |
| XX | ±0.5 | | | | | |
| | ±1 | | | | | |

TOLERANCE UNSPECIFIED

REMARK:

ASSEMBLY AND MOULDING OF CLEANING

SHEET 1 OF 1

DATE

11/Jan/2022

SCALE

1:1

DRAWING NO

1100B2/1

